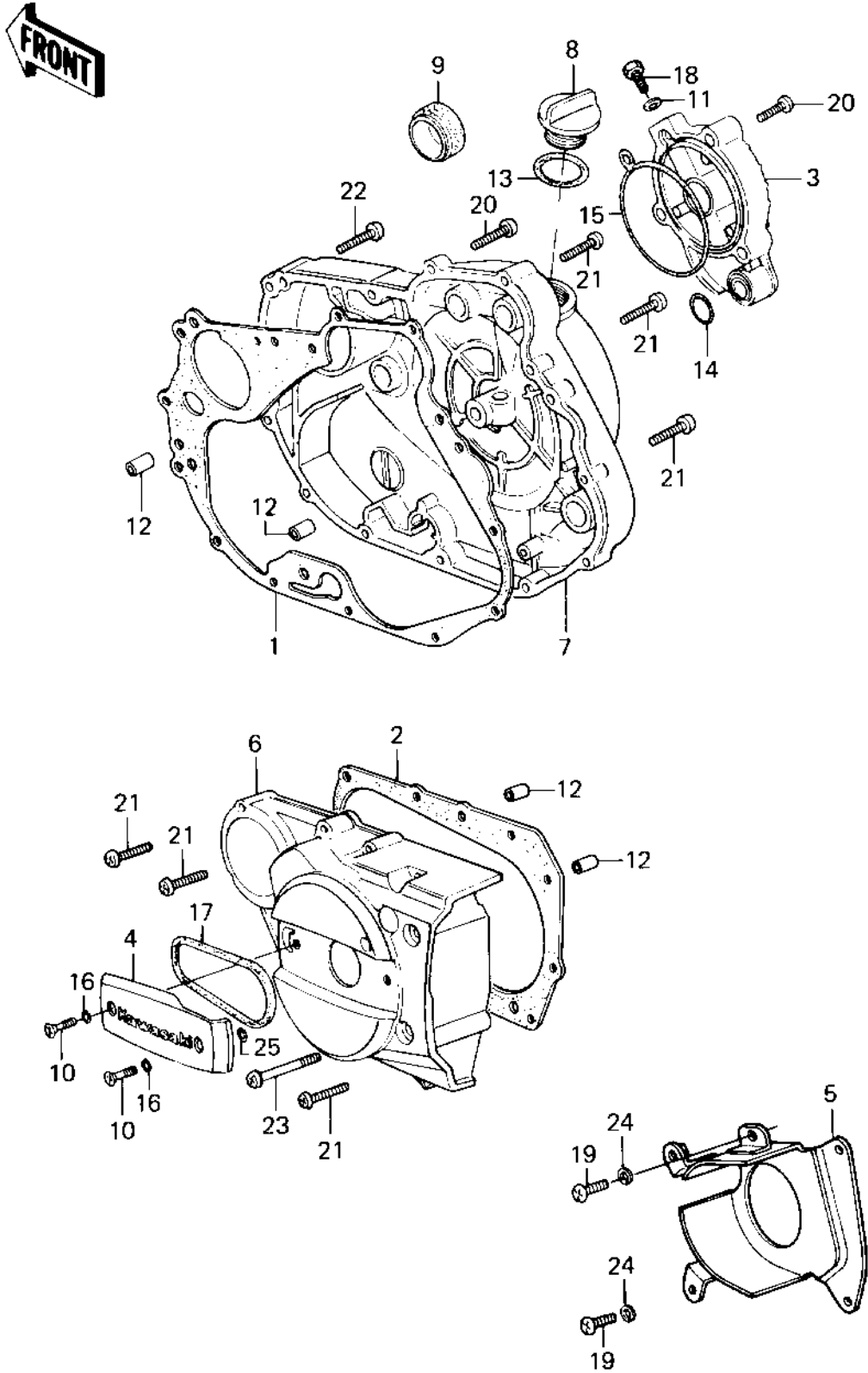


1983 KLT200 PARTS DIAGRAM

ENGINE COVERS ('83 KLT200-C1)

E1431-0102



1983 KLT200 PARTS LIST

ENGINE COVERS ('83 KLT200-C1)

ITEM NAME	PART NUMBER	QUANTITY
GASKET,CLUTCH COVER (Ref # 1)	11009-1306	1
GASKET,L.H ENGINE COV (Ref # 2)	14045-031	1
COVER,OIL FILTER (Ref # 3)	14025-1559	1
COVER,GENERATOR (Ref # 4)	14025-1606	1
COVER-CHAIN,BLACK (Ref # 5)	14026-1052	1
COVER-GENERATOR (Ref # 6)	14031-1110	1
COVER-CLUTCH (Ref # 7)	14032-1098	1
CAP-OIL FILLER (Ref # 8)	16115-1009	1
GAUGE,OIL LEVEL (Ref # 9)	52005-1009	1
SCREW (Ref # 10)	92009-1715	2
WASHER,PLAIN (Ref # 11)	92022-304	1
PIN-DOWEL (Ref # 12)	92042-007	4
"O" RING,31MM (Ref # 13)	92055-049	1
"O" RING (Ref # 14)	92055-098	1
"O" RING,FILTER COVER (Ref # 15)	92055-1048	1
"O" RING,DYNAMO COVER (Ref # 16)	92055-109	2
RING-O (Ref # 17)	92055-1143	1
BOLT HEX HEAD 6X8 (Ref # 18)	110B0608	1
SCREW PAN HEAD 6X10 (Ref # 19)	220B0610	2
SCREW PAN HEAD 6X25 (Ref # 20)	220B0625	4
SCREW PAN HEAD 6X30 (Ref # 21)	220B0630	18
SCREW PAN HEAD 6X40 (Ref # 22)	220B0640	1
SCREW PAN HEAD 6X60 (Ref # 23)	220B0660	2
WASHER SPRING 6MM (Ref # 24)	461F0600	2
"O" RING,12MM (Ref # 25)	670B2012	1