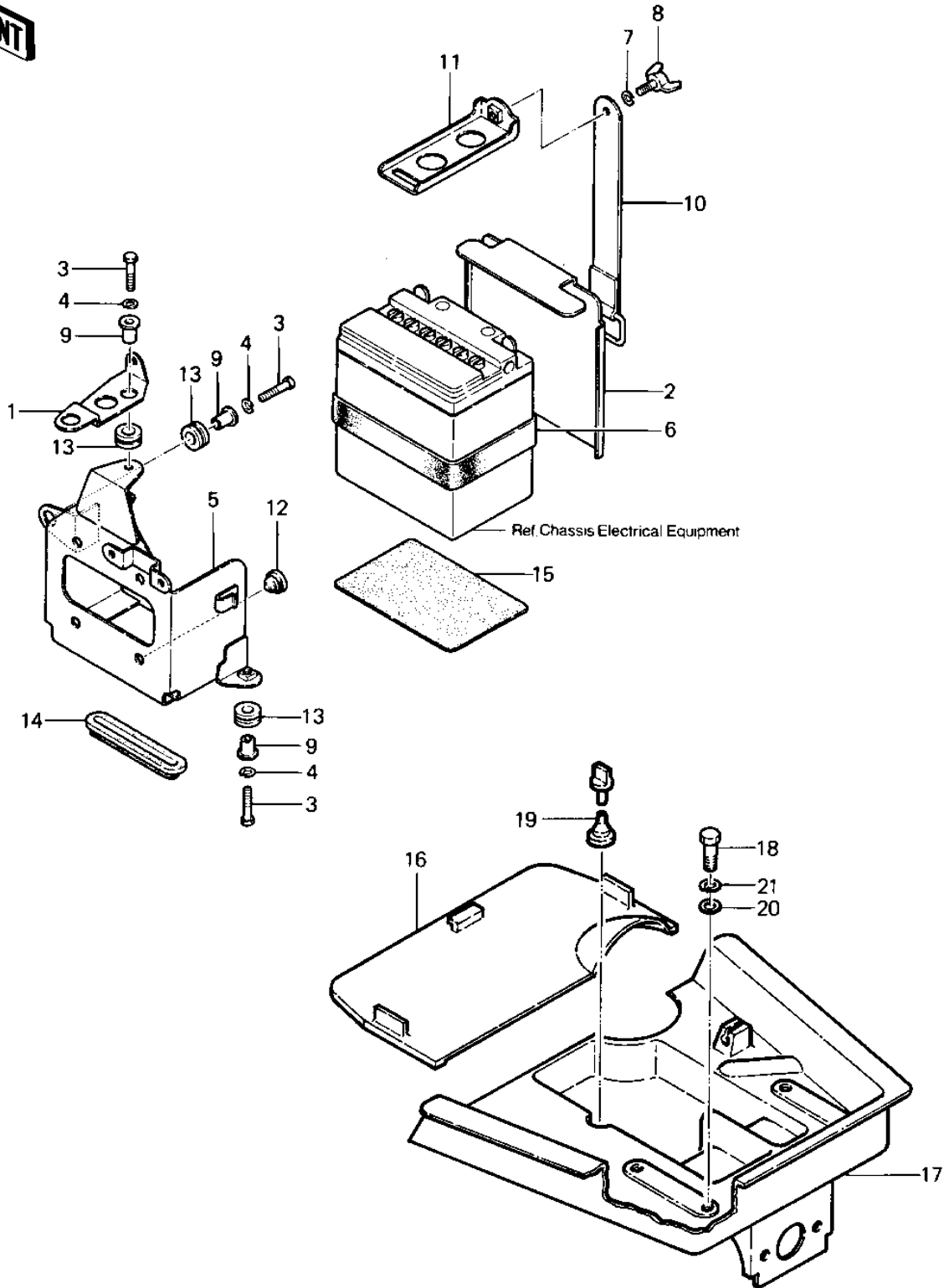


1983 KLT200 PARTS DIAGRAM

BATTERY CASE/TOOL CASE ('83 KLT200-C1)



1983 KLT200 PARTS LIST

BATTERY CASE/TOOL CASE ('83 KLT200-C1)

ITEM NAME	PART NUMBER	QUANTITY
BRACKET,BLACK (Ref # 1)	11034-4202	1
COVER (Ref # 2)	14025-4007	1
BOLT-UPSET,6X20 (Ref # 3)	112G0620	3
WASHER SPRING 6MM (Ref # 4)	461F0600	3
CASE-BATTERY (Ref # 5)	32097-4006	1
MAT-BATTERY SIDE (Ref # 6)	32103-023	1
WASHER SPRING 6MM (Ref # 7)	461F0600	1
BOLT,CLNR ELEMENT (Ref # 8)	92003-199	1
COLLAR (Ref # 9)	92027-1045	3
BAND,BATTERY (Ref # 10)	92072-4005	1
BAND,BATTERY (Ref # 11)	92072-4006	1
DAMPER RUBBER (Ref # 12)	92075-078	4
DAMPER RUBBER (Ref # 13)	92075-277	3
DAMPER RUBBER (Ref # 14)	92075-280	1
DAMPER,BATTERY CASE (Ref # 15)	92075-4019	1
COVER-TOOL CASE (Ref # 16)	14025-4022	1
CASE TOOL (Ref # 17)	32098-4002	1
BOLT-UPSET (Ref # 18)	112G0625	4
BAND,HEAD LAMP (Ref # 19)	92072-077	1
WASHER 6.5X20X1.6T (Ref # 20)	92022-125	4
WASHER SPRING 6MM (Ref # 21)	461F0600	4