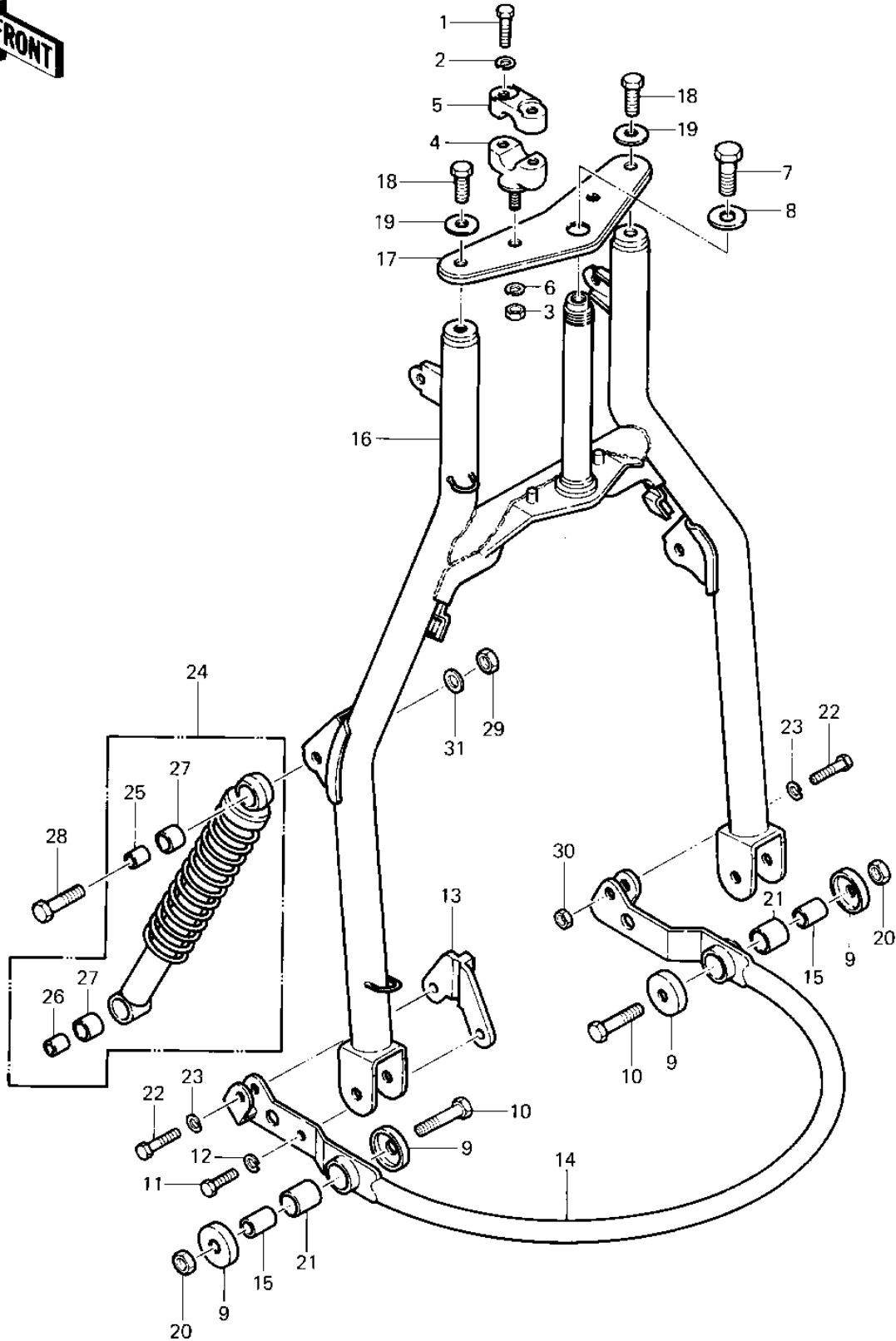


# 1983 KLT200 PARTS DIAGRAM

FRONT FORK ('83 KLT200-C1)



# 1983 KLT200 PARTS LIST

## FRONT FORK ('83 KLT200-C1)

ITEM NAME	PART NUMBER	QUANTITY
BOLT (Ref # 1)	114G0836	4
WASHER SPRING 8MM (Ref # 2)	461F0800	4
NUT,10MM (Ref # 3)	314B1000	2
HOLDER,HANDLEBAR,BUFF (Ref # 4)	46012-002-80	2
HOLDER UPPER HANDLBAR (Ref # 5)	46012-004	2
WASHER SPRING 10MM (Ref # 6)	461F1000	2
BOLT,STEERING STEM (Ref # 7)	44041-072	1
WASHER,STEERING STEM (Ref # 8)	44043-056	1
CAP (Ref # 9)	11012-4004	4
BOLT HEX HEAD 14X55 (Ref # 10)	113B1455	2
BOLT-UPSET,10X20 (Ref # 11)	112B1020	1
WASHER SPRING 10MM (Ref # 12)	461F1000	1
STOPPER (Ref # 13)	32085-4006	1
ARM-SUSP (Ref # 14)	39007-4003	1
SLEEVE,14X20X25.3 (Ref # 15)	42036-4003	2
FORK FRONT,EBONY (Ref # 16)	44001-4010-8G	1
FRONT FORK,RED (Ref # 16)	44001-4010-8R	1
HOLDER-FORK UPPER (Ref # 17)	44039-4003	1
BOLT (Ref # 18)	92001-1742	2
WASHER (Ref # 19)	92022-1381	2
NUT-LOCK,14MM (Ref # 20)	92019-011	2
BUSHING,SWING ARM (Ref # 21)	92028-4001	2
BOLT,HEX HEAD 10X40 (Ref # 22)	92001-1253	2
WASHER SPRING 10MM (Ref # 23)	461F1000	2
SHOCKABSORBER,BLACK (Ref # 24)	45014-4011-8G	2
COLLAR (Ref # 25)	92027-4023	2
COLLAR (Ref # 26)	92027-4024	2
DAMPER (Ref # 27)	92075-4030	4
BOLT,12X45 (Ref # 28)	92001-4018	2

# 1983 KLT200 PARTS LIST

FRONT FORK ('83 KLT200-C1)

ITEM NAME	PART NUMBER	QUANTITY
NUT-LOCK,12MM (Ref # 29)	92019-009	2
NUT,LOCK,10MM (Ref # 30)	92019-021	1
WASHER,PLAIN,12 X 22 (Ref # 31)	92022-1057	2