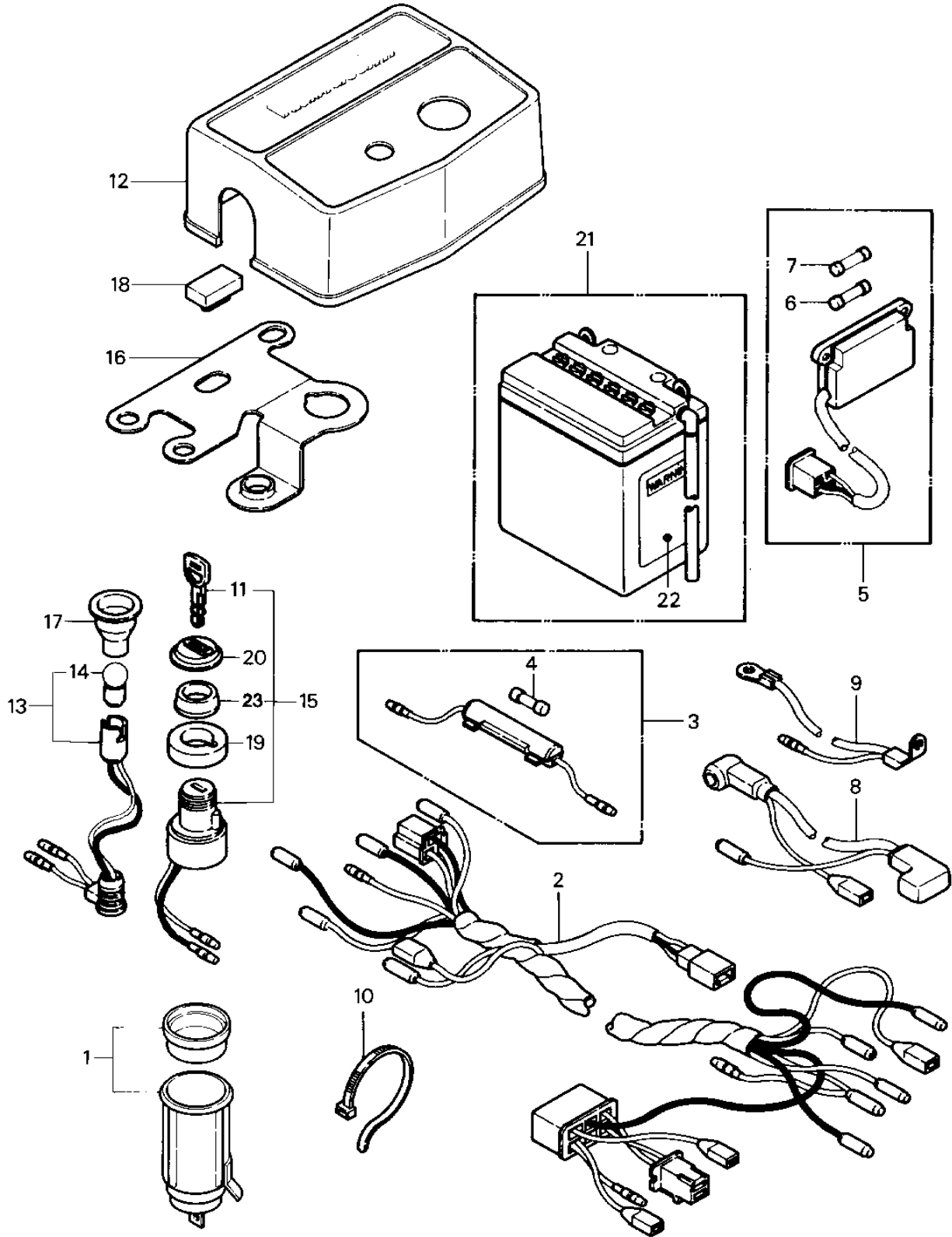


1983 KLT200 PARTS DIAGRAM

CHASSIS ELECTRICAL EQUIPMENT ('83 KLT200)



1983 KLT200 PARTS LIST

CHASSIS ELECTRICAL EQUIPMENT ('83 KLT200)

ITEM NAME	PART NUMBER	QUANTITY
TERMINAL (Ref # 1)	21169-4002	1
HARNESS,MAIN (Ref # 2)	26001-4022	1
HARNESS,MAIN (Ref # 2)	26001-4028	1
FUSE ASSY (Ref # 3)	26004-013	1
FUSE-20A (Ref # 4)	26006-005	1
FUSE-ASSY,ACCESSORY (Ref # 5)	26004-1016	1
FUSE 10A (Ref # 6)	26006-003	1
FUSE,30A,L=25M/M (Ref # 7)	26006-1005	1
WIRE-LEAD,BATTERY(+) (Ref # 8)	26011-4007	1
WIRE-LEAD,BATTERY GRO (Ref # 9)	26011-4008	1
BAND (Ref # 10)	92072-3505	4
KEY-LOCK,BLANK (Ref # 11)	27008-1103	1
COVER,SWITCH (Ref # 12)	14025-4023	1
LAMP-ASSY,IGNITION (Ref # 13)	23016-1025	1
BULB 12V 3W (Ref # 14)	92069-018	1
SWITCH-ASSY-IGNITION (Ref # 15)	27005-1117	1
BRACKET-SWITCH (Ref # 16)	32059-4003	1
TUBE (Ref # 17)	92059-1559	1
DAMPER RUBBER (Ref # 18)	92075-099	1
DAMPER IGNITION SWITH (Ref # 19)	92075-4016	1
BOOT (Ref # 20)	49006-4004	1
FB BAT FB12A-A (Ref # 21)	26012-1004	1
LABEL-WARNING,BATTERY (Ref # 22)	56040-1036	1
NUT,IGNITION SW LOCK (Ref # 23)	27007-004	1