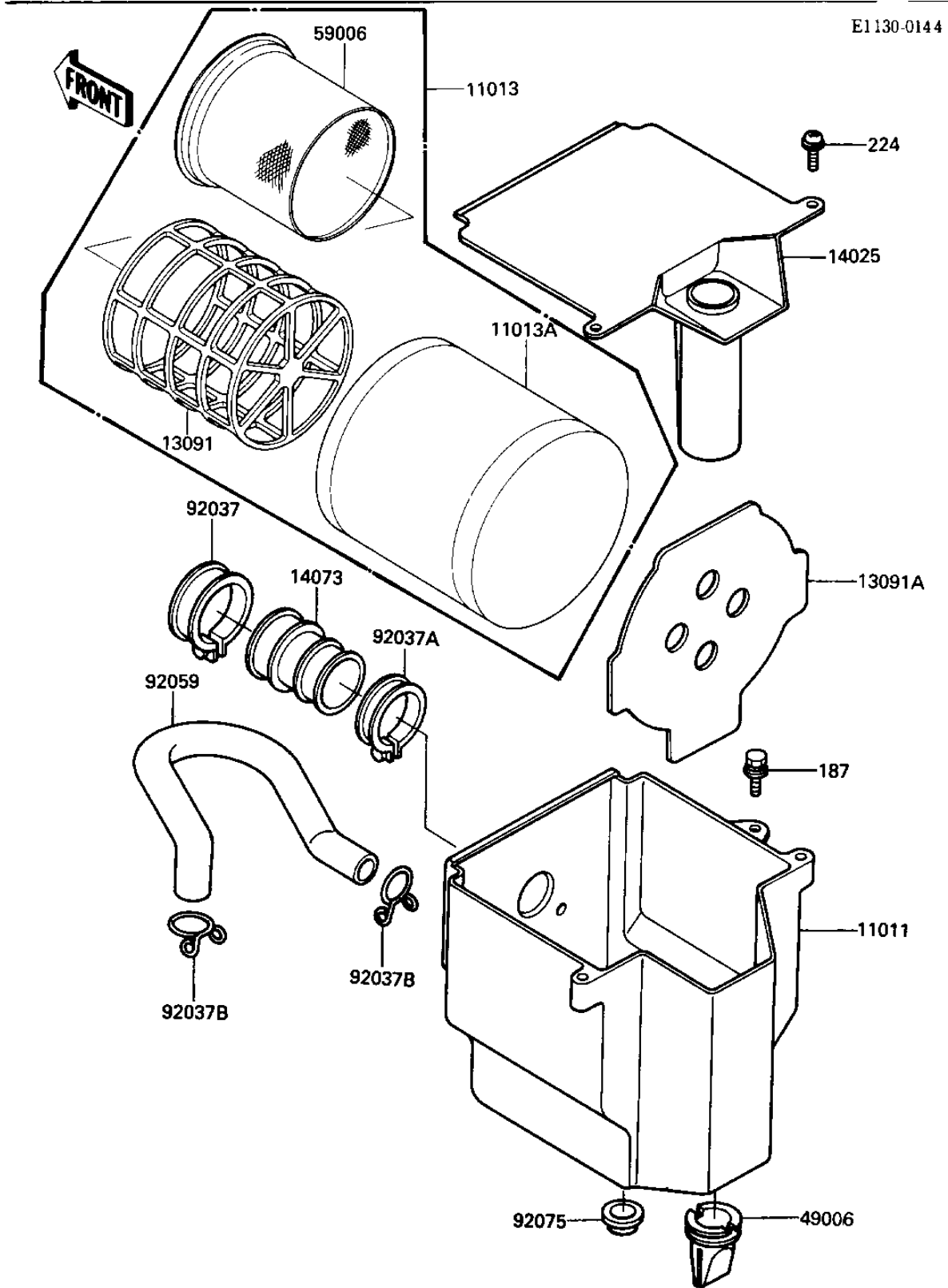


1984 KLT200 PARTS DIAGRAM

AIR CLEANER ('84 KLT200-C2)



1984 KLT200 PARTS LIST

AIR CLEANER ('84 KLT200-C2)

ITEM NAME	PART NUMBER	QUANTITY
CASE-AIR FILTER (Ref # 11011)	11011-1086	1
ELEMENT,AIR CLNR (Ref # 11013)	11013-1053	1
ELEMENT-AIR FILTER (Ref # 11013A)	11013-1109	1
HOLDER,ELEMENT (Ref # 13091)	13091-1121	1
HOLDER,ELEMENT (Ref # 13091A)	13091-1125	1
COVER,AIR FILTER (Ref # 14025)	14025-1385	1
DUCT,AIR FILTER (Ref # 14073)	14073-1170	1
BOOT (Ref # 49006)	49006-1065	1
ARRESTER-FLAME (Ref # 59006)	59006-1051	1
CLAMP-INLET PIPE (Ref # 92037)	92037-061	1
CLAMP,MUFFLER (Ref # 92037A)	92037-177	1
CLAMP,BREATHER TUBE (Ref # 92037B)	92037-213	2
TUBE,BREATHER (Ref # 92059)	92059-1253	1
DAMPER RUBBER,SIG LM (Ref # 92075)	92075-158	1
BOLT-UPSET-WSP (Ref # 187)	187B0616	1
SCREW-PAN-WP-CROS (Ref # 224)	224B0612	2