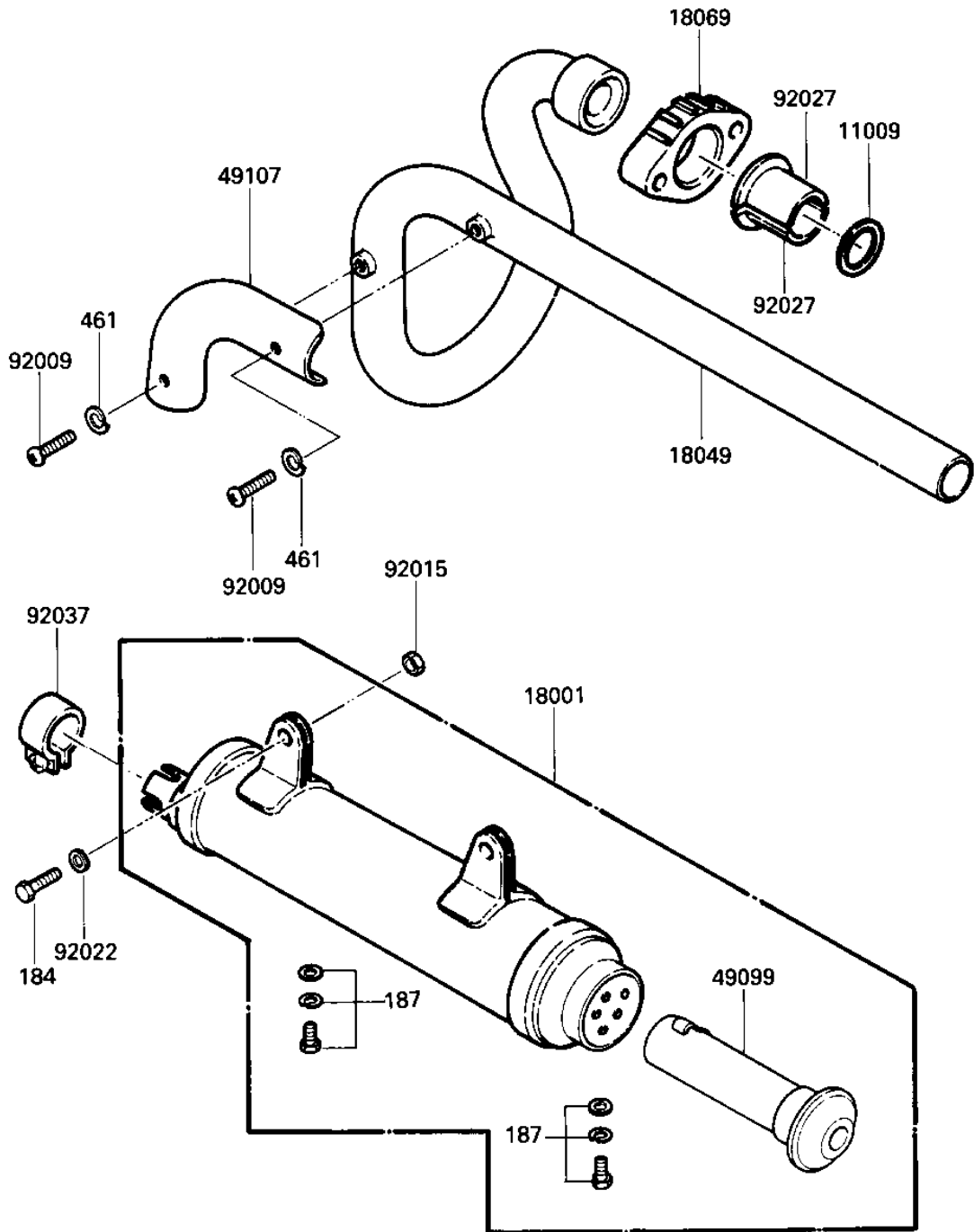


1984 KLT200 PARTS DIAGRAM

MUFFLER ('84 KLT200-C2)

E1140-0197



1984 KLT200 PARTS LIST

MUFFLER ('84 KLT200-C2)

ITEM NAME	PART NUMBER	QUANTITY
GASKET,EXHAUST PIPE H (Ref # 11009)	11009-1866	1
MUFFLER (Ref # 18001)	18001-1451	1
PIPE EXHAUST (Ref # 18049)	18049-1203	1
HOLDER EXHAUST PIPE (Ref # 18069)	18069-1014	1
BAFFLE-PIPE MUFFLER (Ref # 49099)	49099-1119	1
COVER-EXHAUST PIPE (Ref # 49107)	49107-1006	1
SCREW,6X6.7,BLACK (Ref # 92009)	92009-1285	2
NUT,U,8MM,BLACK (Ref # 92015)	92015-1205	1
92022-101 (Canada) (Ref # 92022)	92022-092	1
INSERT,EXHAUST PIPE (Ref # 92027)	92027-278	2
CLAMP,MUFFLER FITTING (Ref # 92037)	92037-1035	1
BOLT-UPSET-WP-SMALL (Ref # 184)	184J0820	1
BOLT 6X12 (Ref # 187)	187B0612	2
WASHER-SPRING,6MM,BLA (Ref # 461)	461K0600	2