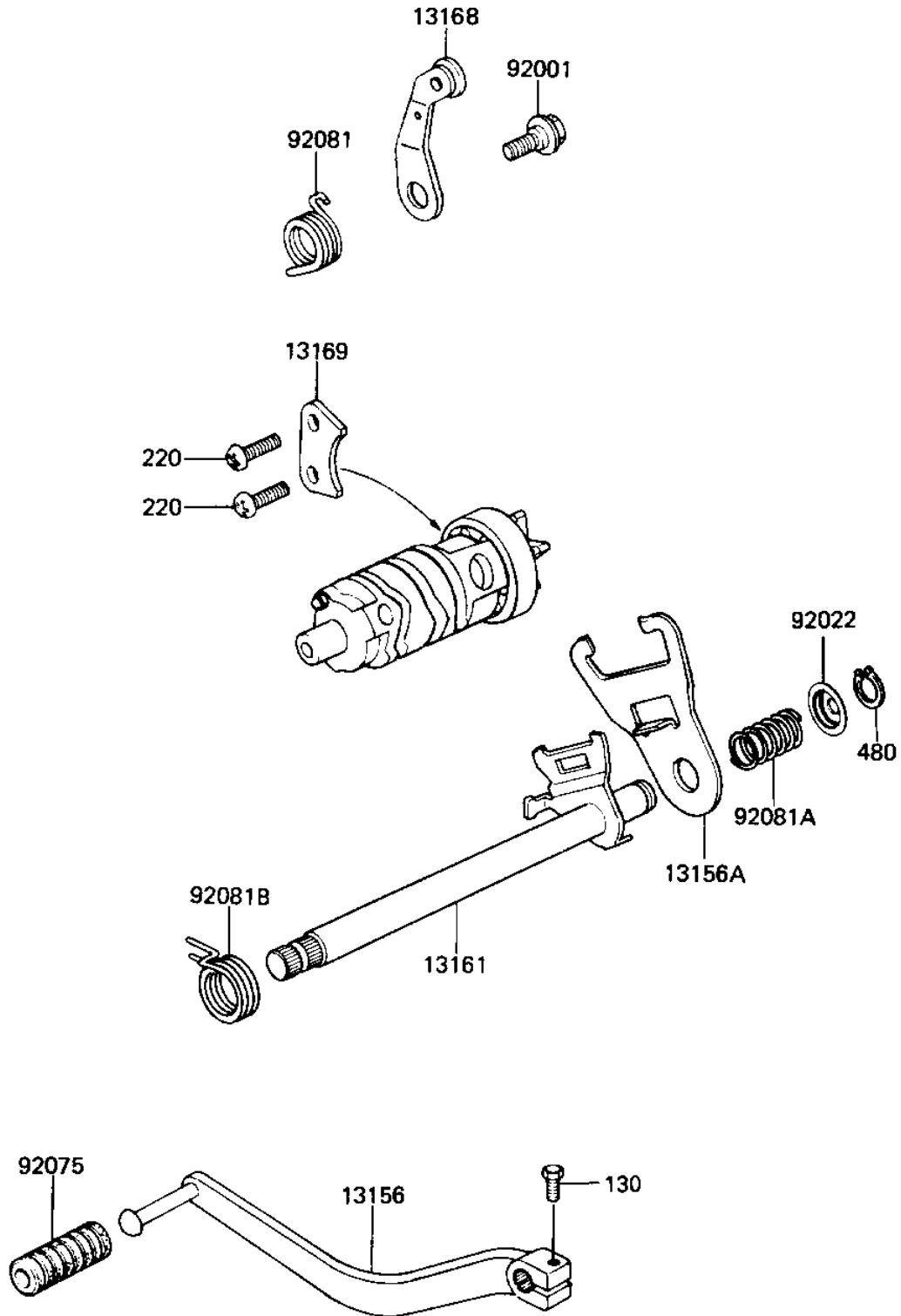


1984 KLT200 PARTS DIAGRAM

GEAR CHANGE MECHANISM ('84 KLT200-C2)

E1370-0093



1984 KLT200 PARTS LIST

GEAR CHANGE MECHANISM ('84 KLT200-C2)

ITEM NAME	PART NUMBER	QUANTITY
-----------	-------------	----------