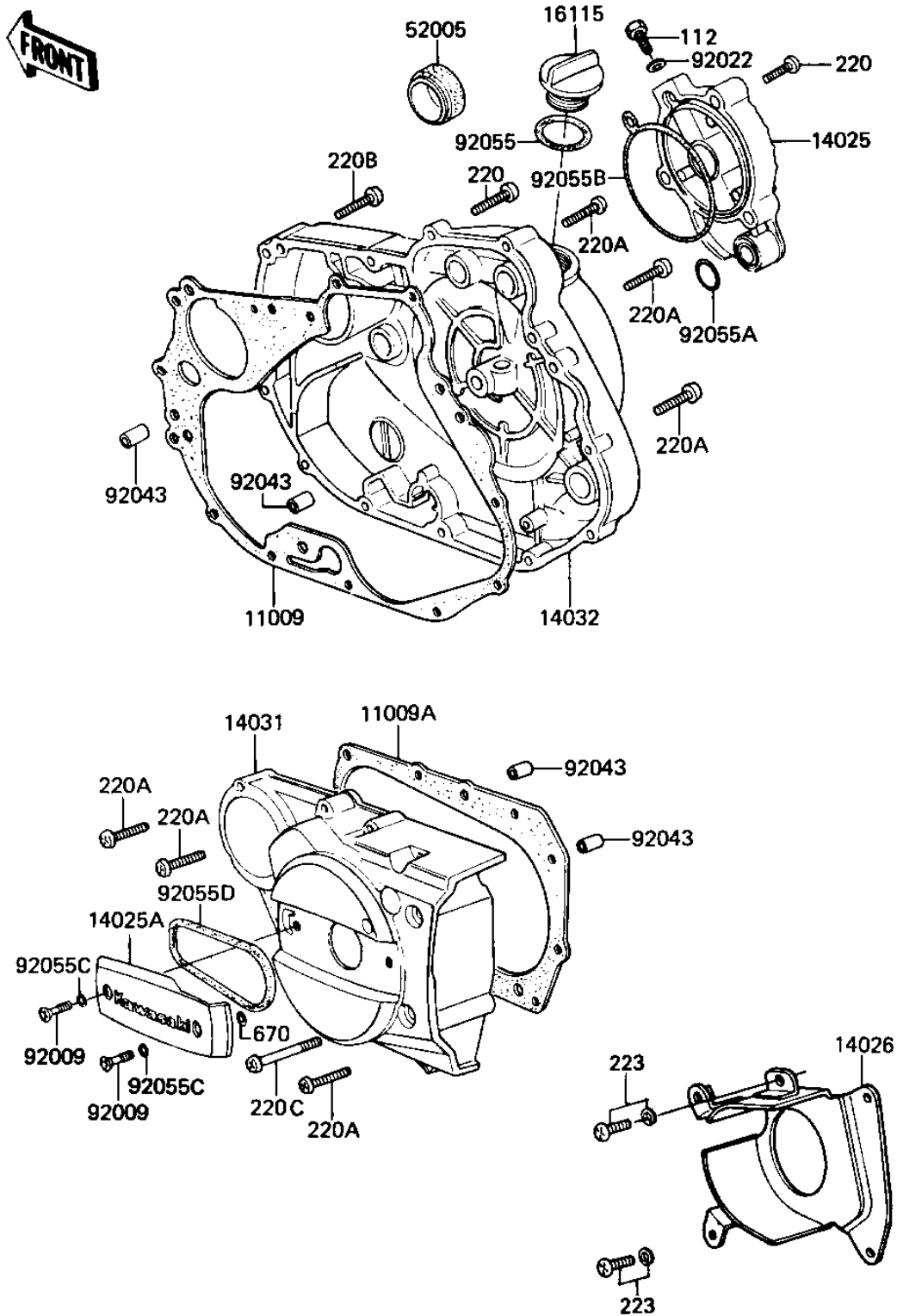


1984 KLT200 PARTS DIAGRAM

ENGINE COVERS ('84 KLT200-C2)

E1431-0102



1984 KLT200 PARTS LIST

ENGINE COVERS ('84 KLT200-C2)

ITEM NAME	PART NUMBER	QUANTITY
GASKET,CLUTCH COVER (Ref # 11009)	11009-1306	1
GASKET,L.H ENGINE COV (Ref # 11009A)	14045-031	1
COVER,OIL FILTER (Ref # 14025)	14025-1559	1
COVER,GENERATOR (Ref # 14025A)	14025-1606	1
COVER-CHAIN,BLACK (Ref # 14026)	14026-1052	1
COVER-GENERATOR (Ref # 14031)	14031-1110	1
COVER-CLUTCH (Ref # 14032)	14032-1098	1
CAP-OIL FILLER (Ref # 16115)	16115-1009	1
GAUGE,OIL LEVEL (Ref # 52005)	52005-1009	1
SCREW (Ref # 92009)	92009-1715	2
WASHER,PLAIN (Ref # 92022)	92022-304	1
PIN-DOWEL (Ref # 92043)	92042-007	4
"O" RING,31MM (Ref # 92055)	92055-049	1
"O" RING (Ref # 92055A)	92055-098	1
"O" RING,FILTER COVER (Ref # 92055B)	92055-1048	1
"O" RING,DYNAMO COVER (Ref # 92055C)	92055-109	2
RING-O (Ref # 92055D)	92055-1143	1
BOLT-UPSET (Ref # 112)	112X0608	1
SCREW-PAN-CROS (Ref # 220)	220X0625	1
SCREW-PAN-CROS (Ref # 220A)	220X0630	18
SCREW-PAN-CROS (Ref # 220B)	220X0640	1
SCREW-PAN-CROS (Ref # 220C)	220X0660	2
SCREW-PAN-CROS-WS (Ref # 223)	223X0610	2
"O" RING,12MM (Ref # 670)	670B2012	1