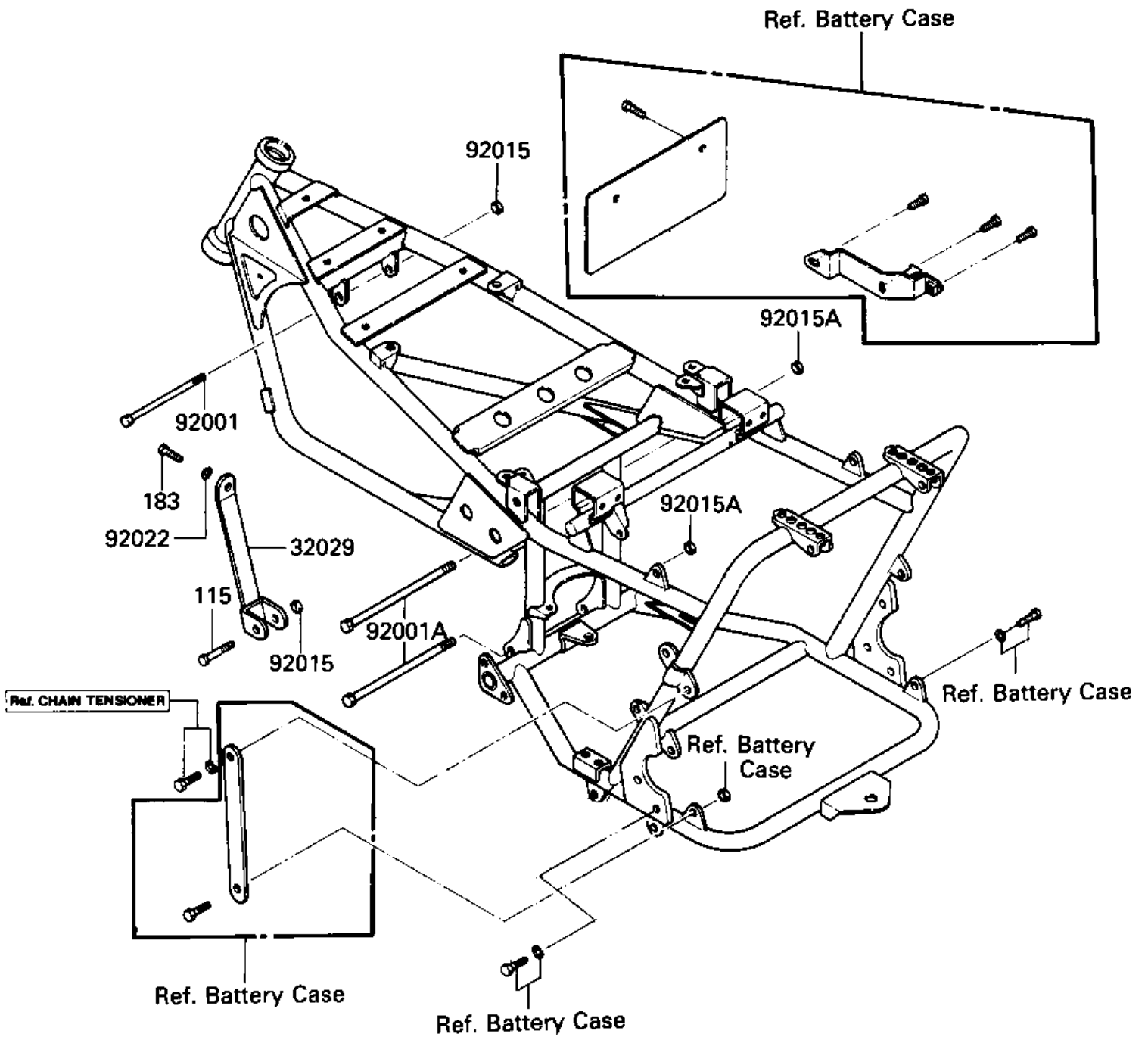


1984 KLT200 PARTS DIAGRAM

FRAME FITTINGS

F2131-0182



1984 KLT200 PARTS LIST

FRAME FITTINGS

ITEM NAME	PART NUMBER	QUANTITY
BRACKET,ENGINE (Ref # 32029)	32029-4018	1
BOLT-FLANGE (Ref # 92001)	92001-1582	1
BOLT, FLANGED, 10X110 (Ref # 92001A)	92001-1602	2
NUT,LOCK,8MM (Ref # 92015)	92015-1124	2
NUT,LOCK,10MM (Ref # 92015A)	92019-021	2
WASHER,8X26X2.3 (Ref # 92022)	92022-1564	1
BOLT-SMALL-UPSET (Ref # 115)	115B0865	1
BOLT-UPSET-WS-SMALL (Ref # 183)	183G0820	1