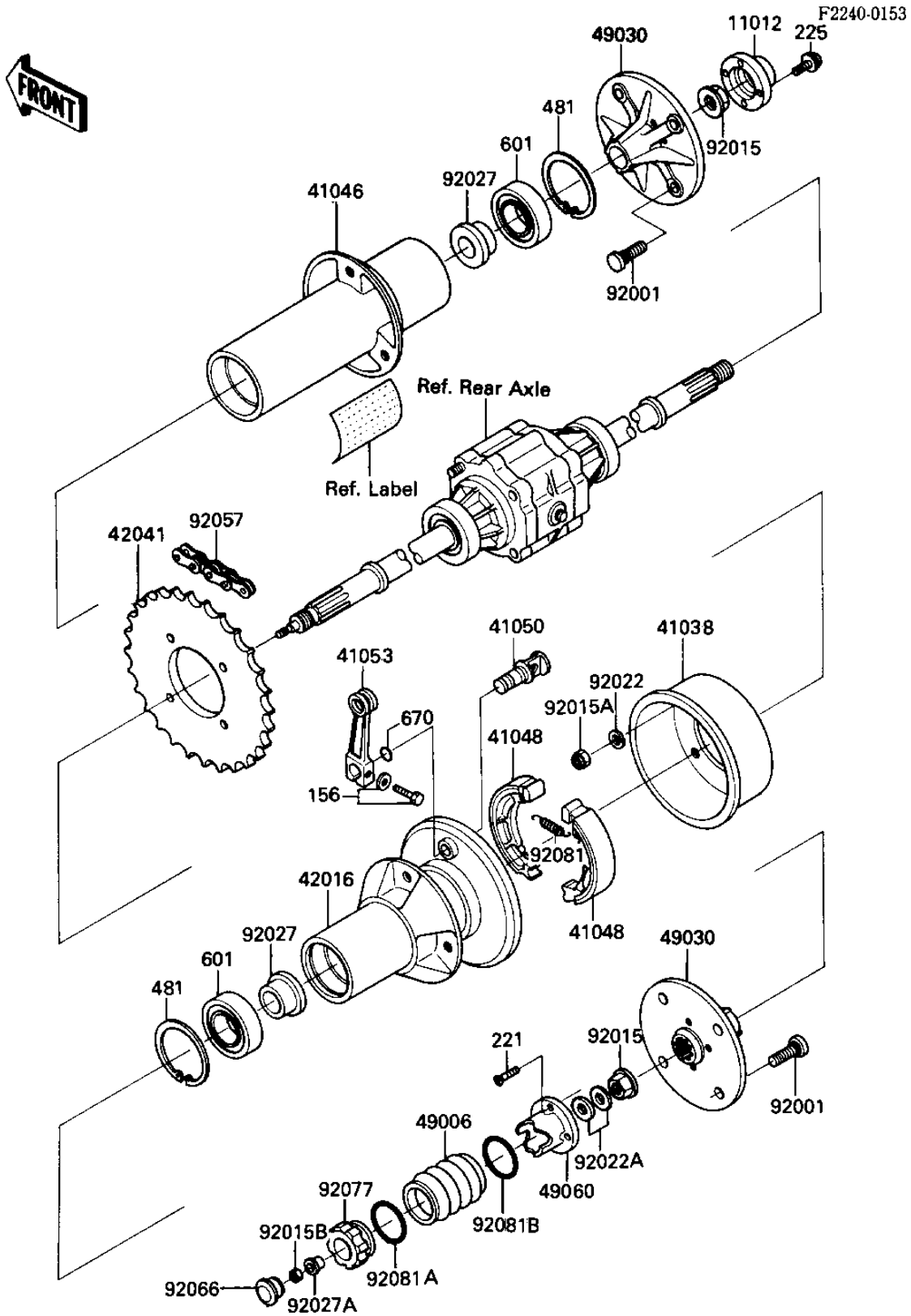


1984 KLT200 PARTS DIAGRAM

REAR HUB/BRAKE/CHAIN ('84 KLT200-C2)



1984 KLT200 PARTS LIST

REAR HUB/BRAKE/CHAIN ('84 KLT200-C2)

ITEM NAME	PART NUMBER	QUANTITY
CAP (Ref # 11012)	11012-4005	1
DRUM,HUB-RR (Ref # 41038)	41038-4017	1
HOUSING,BEARING (Ref # 41046)	41046-4009	1
SHOE-BRAKE (Ref # 41048)	41048-1068	2
CAM SHAFT,BRAKE (Ref # 41050)	41050-1002	1
LEVER BRAKE CAM (Ref # 41053)	41053-1022	1
PANEL,RR BRAKE (Ref # 42016)	42016-4009	1
SPROCKET-HUB,50T (Ref # 42041)	42041-4008	1
BOOT (Ref # 49006)	49006-4005	1
RR-HUB,FORGED (Ref # 49030)	49030-4011	2
CAM (Ref # 49060)	49060-4001	1
BOLT,LUG (Ref # 92001)	92001-4006	8
NUT,FLANGED&LOCK,18MM (Ref # 92015)	92015-4024	2
NUT,10MM (Ref # 92015A)	92015-1429	4
NUT-LOCK,5MM (Ref # 92015B)	92019-014	1
WASHER,10.5X18X2.5 (Ref # 92022)	92022-1453	4
WASHER,PLAIN,5MM (Ref # 92022A)	92022-241	3
COLLAR,AXLE (Ref # 92027)	92027-4029	2
COLLAR (Ref # 92027A)	92027-4030	1
CHAIN,EK520SH-0,98L (Ref # 92057)	92057-4011	1
PLUG,FRAME END (Ref # 92066)	92066-1027	1
KNOB (Ref # 92077)	92077-4002	1
SPRING-BRAKE SHOE (Ref # 92081)	42020-004	2
SPRING (Ref # 92081A)	92081-1177	1
SPRING,L=141 (Ref # 92081B)	92081-1570	1
BOLT-WP (Ref # 156)	156G0622	1
SCREW-CSK-CROSS (Ref # 221)	221B0516	4
SCREW-PAN-WSP-CROS (Ref # 225)	225B0520	4
CIRCRIP-TYPE-C,68MM (Ref # 481)	481J6800	2

1984 KLT200 PARTS LIST

REAR HUB/BRAKE/CHAIN ('84 KLT200-C2)

ITEM NAME	PART NUMBER	QUANTITY
UNAVAILABLE IN PRICE BOOK (Ref # 601)	601A600800	2
"O" RING,15MM (Ref # 670)	670B2015	1