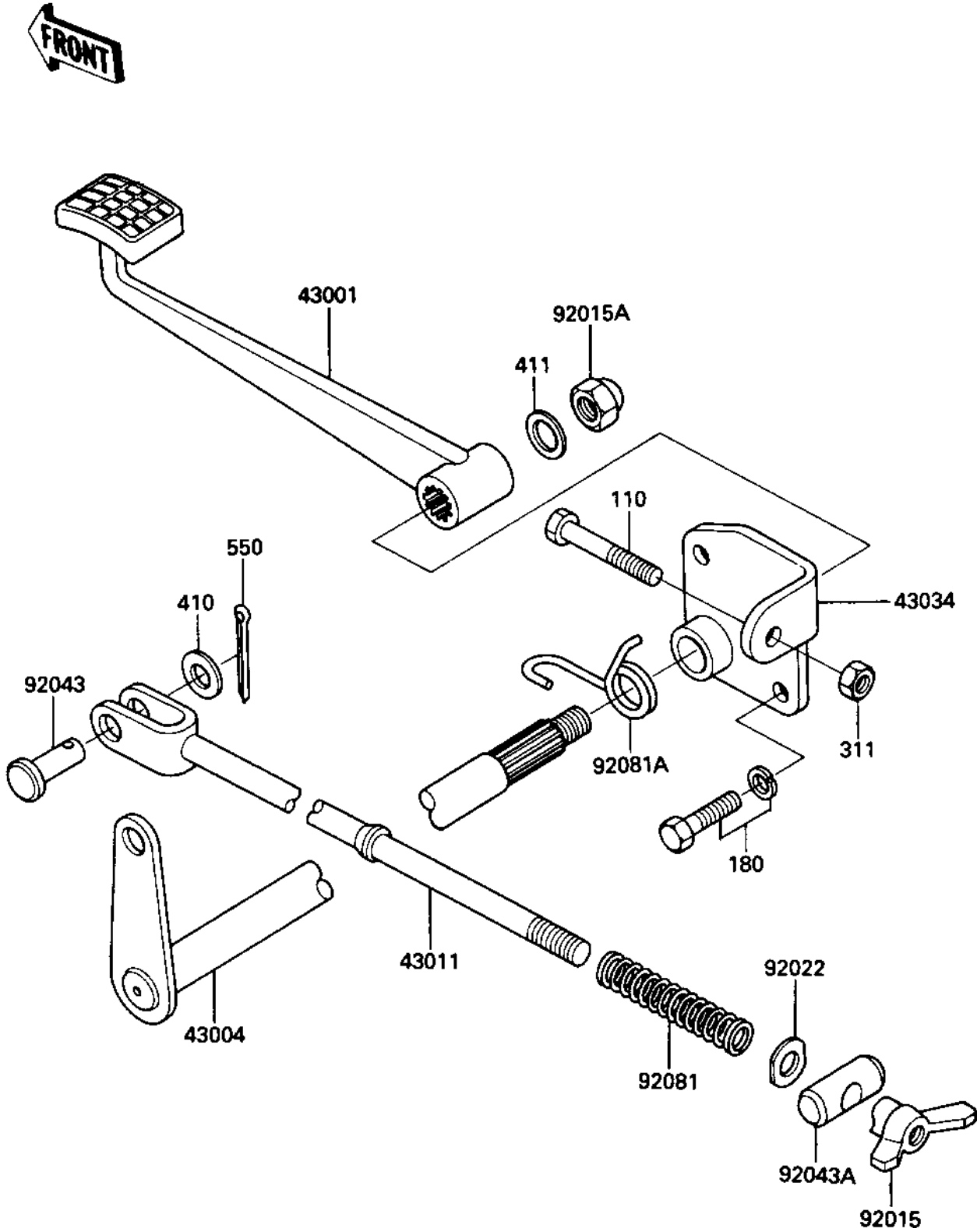


# 1984 KLT200 PARTS DIAGRAM

BRAKE PEDAL ('84 KLT200-C2)

F2260-0128



# 1984 KLT200 PARTS LIST

## BRAKE PEDAL ('84 KLT200-C2)

ITEM NAME	PART NUMBER	QUANTITY
LEVER-BRAKE,PEDAL (Ref # 43001)	43001-4014	1
SHAFT-BRAKE (Ref # 43004)	43004-4001	1
ROD-BRAKE (Ref # 43011)	43011-4005	1
HOLDER-BRAKE (Ref # 43034)	43034-4001	1
NUT,WING,6M/M (Ref # 92015)	92015-4004	1
NUT SHOCK ABSORBER (Ref # 92015A)	92020-003	1
WASHER, BRAKE ROD (Ref # 92022)	92022-4003	1
PIN-BRAKE ROD FITTING (Ref # 92043)	92043-064	1
PIN-BRAKE ROD (Ref # 92043A)	92043-065	1
SPRING,BRAKE ROD (Ref # 92081)	43012-001	1
SPRING,BRAKE PEDAL (Ref # 92081A)	92081-1337	1
BOLT-UPSET (Ref # 110)	112G0625	1
BOLT-UPSET-WS,6X14 (Ref # 180)	180B0614	2
NUT 6MM (Ref # 311)	311B0600	1
WASHER PLAIN 6MM (Ref # 410)	410B0600	1
WASHER PLAIN 10MM (Ref # 411)	411B1000	1
PIN COTTER 2.0X15 (Ref # 550)	550D2015	1