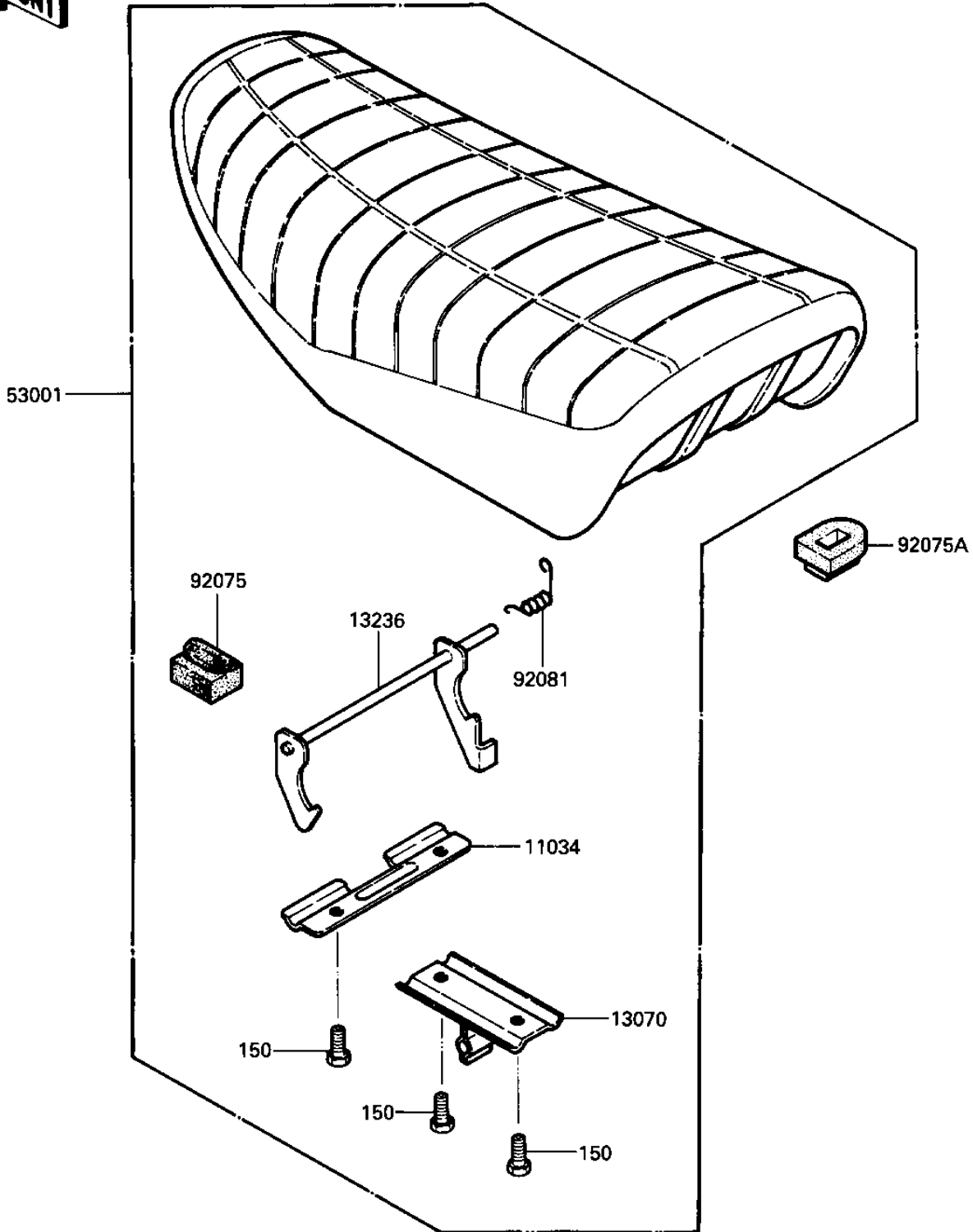


# 1984 KLT200 PARTS DIAGRAM

SEAT ('84 KLT200-C2)

F2510-0246



# 1984 KLT200 PARTS LIST

SEAT (84 KLT200-C2)

ITEM NAME	PART NUMBER	QUANTITY
BRACKET,SEAT (Ref # 11034)	11034-4048	1
GUIDE-SEAT (Ref # 13070)	13070-4002	2
LEVER SEAT (Ref # 13236)	13236-4002	1
SEAT-ASSY (Ref # 53001)	53001-1369	1
DAMPER RUBBER (Ref # 92075)	92075-099	4
DAMPER RUBBER FUEL TA (Ref # 92075A)	92075-295	2
SPRING (Ref # 92081)	92081-4017	1
BOLT 6X16 (Ref # 150)	180B0616	6