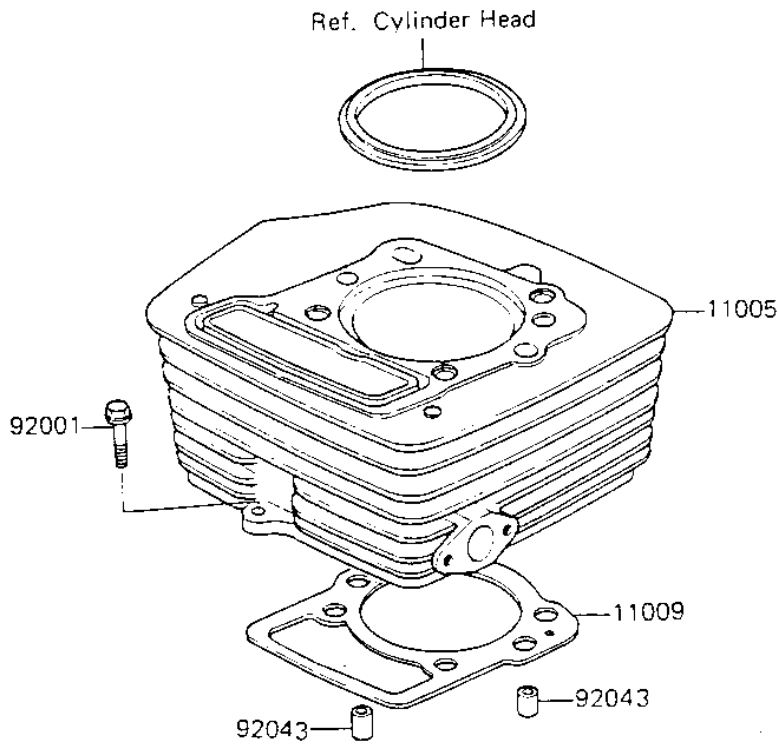
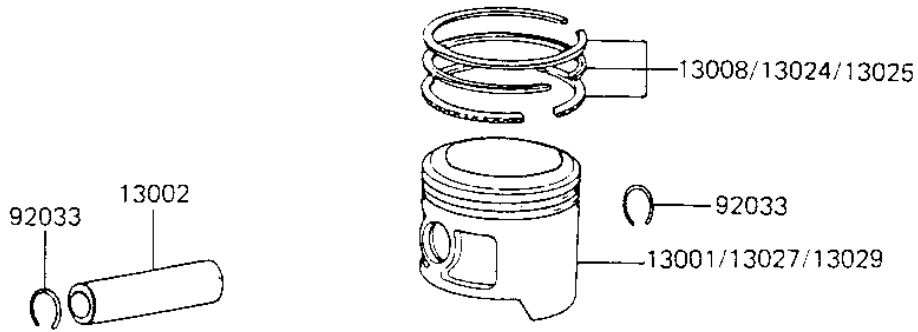


1983 KLR250 PARTS DIAGRAM

CYLINDER/PISTON

E1120-0040



1983 KLR250 PARTS LIST

CYLINDER/PISTON

| ITEM NAME | PART NUMBER | QUANTITY |
|-------------------------------------|-------------|----------|
| CYLINDER-ENGINE (Ref # 11005) | 11005-1331 | 1 |
| GASKET,CYLINDER BASE (Ref # 11009) | 11009-043 | 1 |
| PISTON-ENGINE,STD (Ref # 13001) | 13001-1101 | 1 |
| PIN-PISTON (Ref # 13002) | 13002-1013 | 1 |
| RING-SET-PISTON (Ref # 13008) | 13008-1011 | 1 |
| RING-SET PISTON LL,0/ (Ref # 13024) | 13024-1014 | 1 |
| RING-SET PISTON L,O/S (Ref # 13025) | 13025-1014 | 1 |
| PISTON-ENGINE LL,O/S (Ref # 13027) | 13027-1047 | 1 |
| PISTON-ENGINE L,O/S 0 (Ref # 13029) | 13029-1048 | 1 |
| BOLT (Ref # 92001) | 92003-202 | 1 |
| CIRCLIP,PISTON PIN (Ref # 92033) | 92036-021 | 2 |
| PIN,DOWEL,10X8.2X14 (Ref # 92043) | 92043-1037 | 2 |