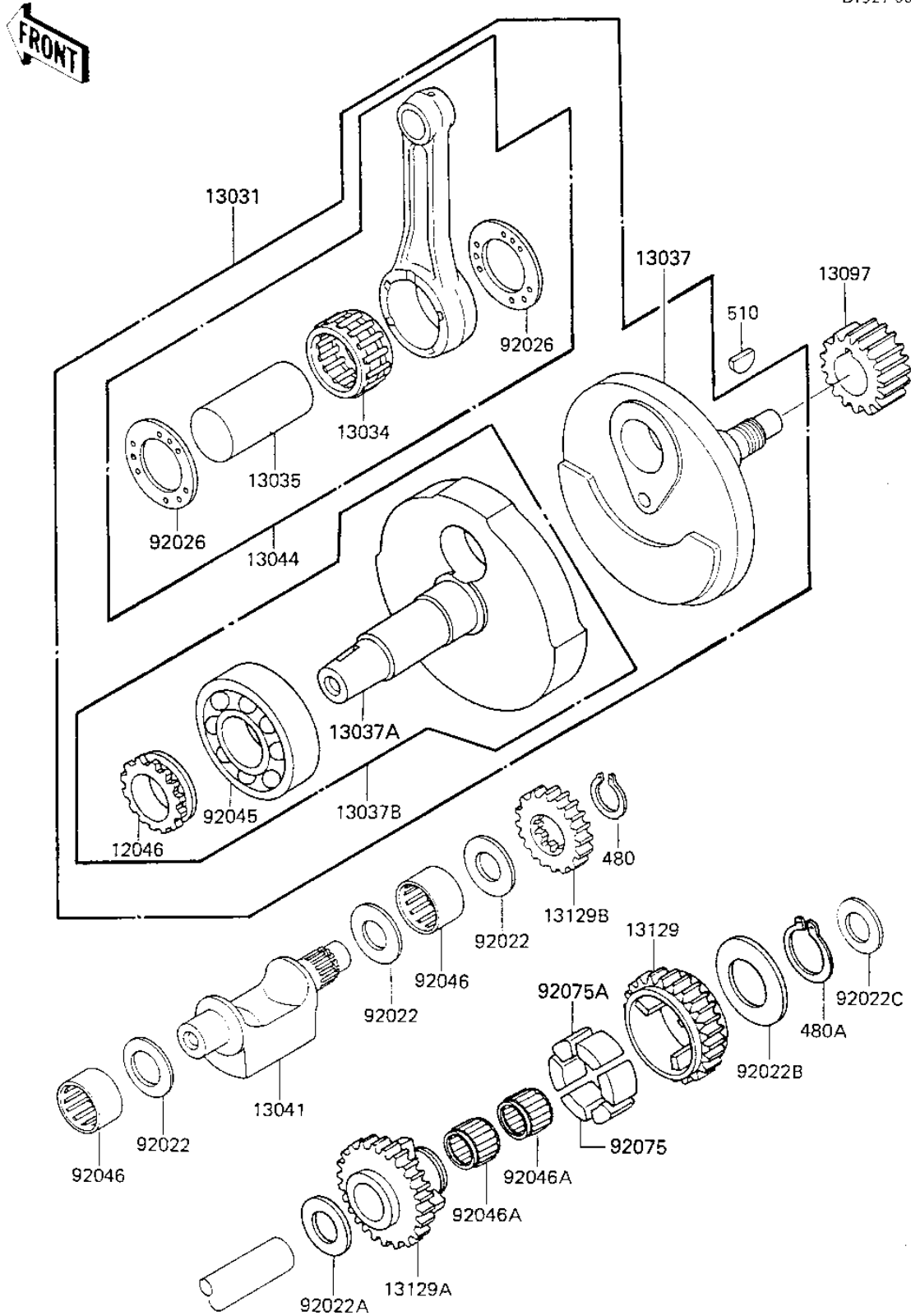


1983 KLR250 PARTS DIAGRAM

CRANKSHAFT/BALANCER

E1321-0042



1983 KLR250 PARTS LIST

CRANKSHAFT/BALANCER

ITEM NAME	PART NUMBER	QUANTITY
SPROCKET,16T (Ref # 12046)	12046-1038	1
CRANKSHAFT-COMP (Ref # 13031)	13031-1081	1
BEARING-BIG END (Ref # 13034)	13034-1013	1
PIN-CRANK (Ref # 13035)	13035-1009	1
CRANKSHAFT,RH (Ref # 13037)	13037-1151	1
CRANKSHAFT,LH (Ref # 13037A)	13037-1152	1
CRANKSHAFT,LH (Ref # 13037B)	13037-5008	1
BALANCER (Ref # 13041)	13041-1003	1
SET-CONNECTING ROD (Ref # 13044)	13044-5026	1
GEAR-PRIMARY SPUR,21T (Ref # 13097)	13097-1067	1
GEAR-TRANSMISSION SPU (Ref # 13129)	13129-1364	1
GEAR-TRANSMISSION SPU (Ref # 13129A)	13129-1365	1
GEAR-TRANSMISSION SPU (Ref # 13129B)	13129-1366	1
WASHER,20X36X1 (Ref # 92022)	92022-1366	3
WASHER,16X34X1 (Ref # 92022A)	92022-1367	1
WASHER,25.3X44X1 (Ref # 92022B)	92022-1390	1
WASHER,16.3X25X1 (Ref # 92022C)	92022-1391	1
SPACER (Ref # 92026)	92026-1070	2
BEARING,BALL,#6306 (Ref # 92045)	92045-037	1
BEARING-NEEDLE,NK20/1 (Ref # 92046)	92046-1183	2
BEARING-NEEDLE,K16X20 (Ref # 92046A)	92046-1053	2
DAMPER,IDLER GEAR (Ref # 92075)	92075-1595	4
DAMPER,IDLER GEAR (Ref # 92075A)	92075-1596	2
CIRCLIP, 20MM (Ref # 480)	480J2000	1
CIRCLIP,25M/M (Ref # 480A)	480J2500	1
WOODRUFF KEY (Ref # 510)	510A5100	1