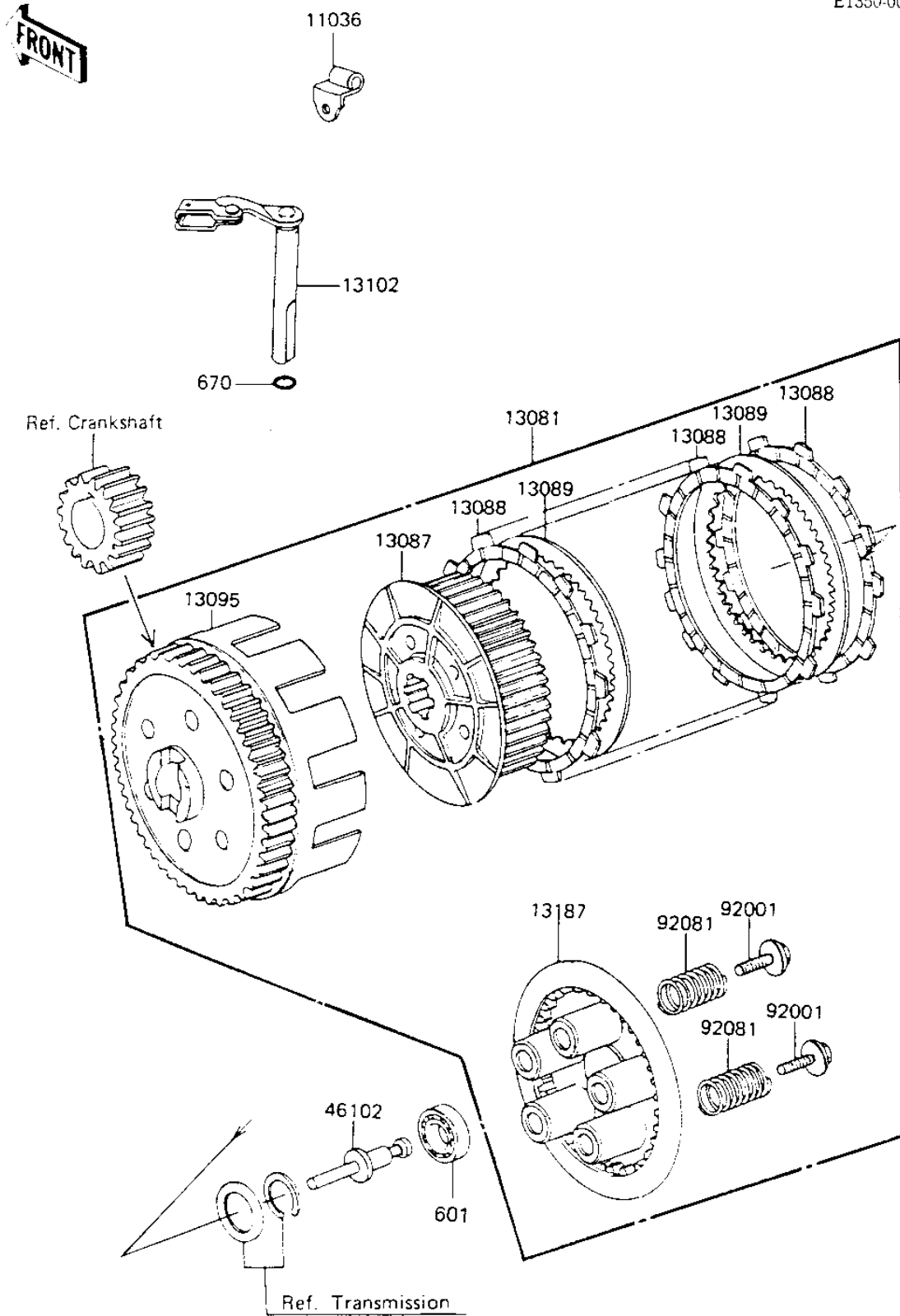


# 1983 KLR250 PARTS DIAGRAM

## CLUTCH

E1350-0056



# 1983 KLR250 PARTS LIST

## CLUTCH

ITEM NAME	PART NUMBER	QUANTITY
BRACKET,CLUTCH CABLE (Ref # 11036)	11045-1081	1
CLUTCH-ASSY (Ref # 13081)	13081-1068	1
HUB,CLUTCH (Ref # 13087)	13087-1001	1
PLATE,CLUTCH FRICTION (Ref # 13088)	13088-1008	7
PLATE CLUTCH STEEL (Ref # 13089)	13089-013	6
HOUSING,CLUTCH (Ref # 13095)	13095-1015	1
RELEASE,CLUTCH (Ref # 13102)	13102-1011	1
PLATE-CLUTCH OPERATIN (Ref # 13187)	13187-1008	1
ROD,CLUTCH PUSH (Ref # 46102)	46102-1033	1
BOLT,CLUTCH SPRING,6X (Ref # 92001)	92001-1576	5
SPRING-CLUTCH (Ref # 92081)	92081-083	5
BEARING-BALL (Ref # 601)	92045-1235	1
"O" RING,9MM (Ref # 670)	670B1509	1