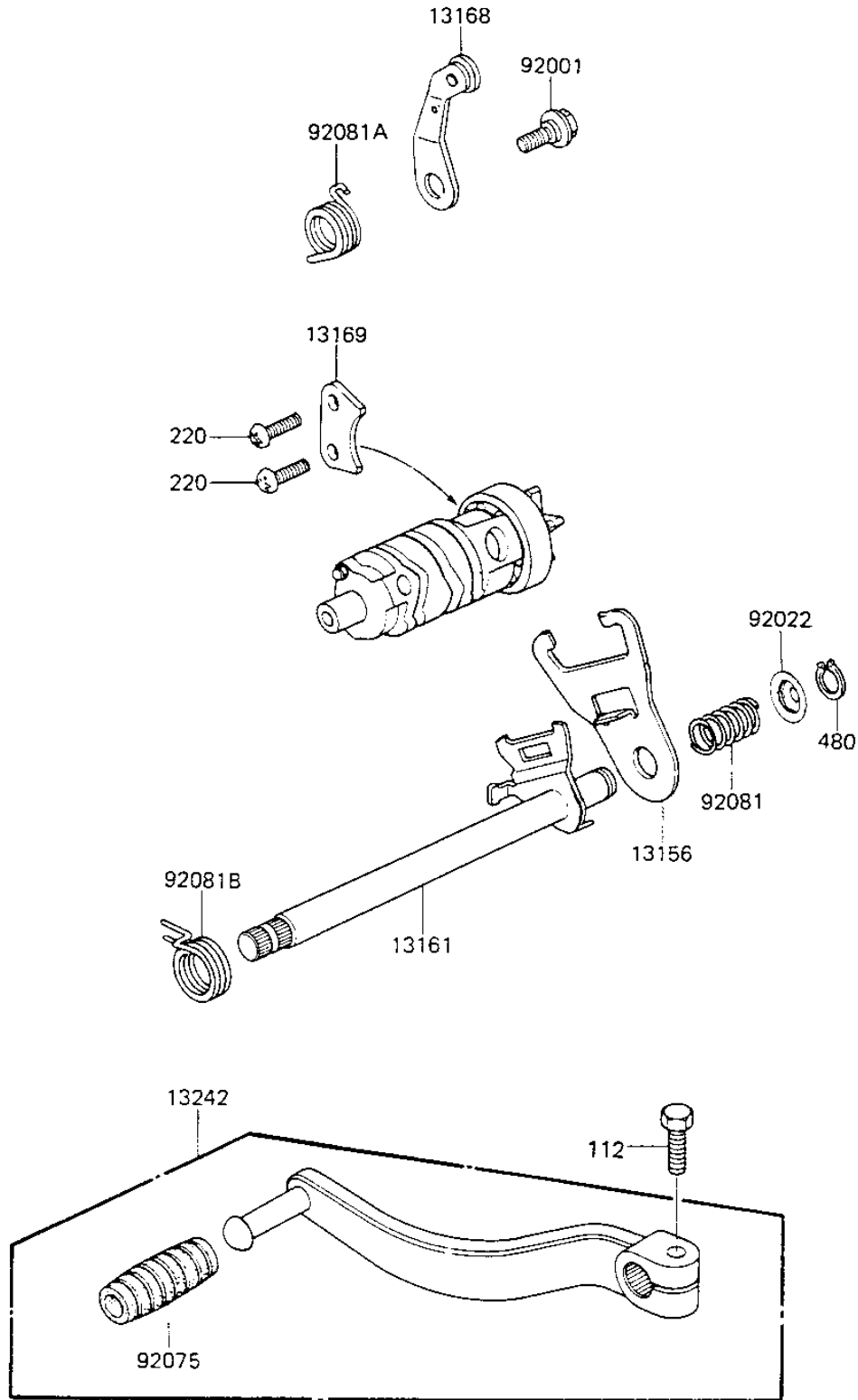


# 1984 KLR250 PARTS DIAGRAM

## GEAR CHANGE MECHANISM

E1370-0094



# 1984 KLR250 PARTS LIST

## GEAR CHANGE MECHANISM

| ITEM NAME                            | PART NUMBER | QUANTITY |
|--------------------------------------|-------------|----------|
| LEVER-CHANGE (Ref # 13156)           | 13156-1122  | 1        |
| LEVER-COMP-CHANGE SHA (Ref # 13161)  | 13161-1046  | 1        |
| LEVER,GEAR CHANGE (Ref # 13168)      | 13168-1129  | 1        |
| PLATE,GEAR CHANGE (Ref # 13169)      | 13169-014   | 1        |
| PEDAL GEAR CHANGE (Ref # 13242)      | 13242-1066  | 1        |
| BOLT (Ref # 92001)                   | 92001-1715  | 1        |
| WASHER,CHANGE LEVER (Ref # 92022)    | 92022-1406  | 1        |
| DAMPER,CHANGE PEDAL (Ref # 92075)    | 92160-1036  | 1        |
| SPRING,CHANGE REVER (Ref # 92081)    | 92081-1536  | 1        |
| SPRING,GEAR CHANGE LE (Ref # 92081A) | 92081-1537  | 1        |
| SPRING,CHG PEDL RTRN (Ref # 92081B)  | 92083-028   | 1        |
| BOLT-UPSET,6X20 (Ref # 112)          | 112G0620    | 1        |
| SCREW PAN HEAD 6X14 (Ref # 220)      | 220B0614    | 2        |
| CIRCLIP,13MM (Ref # 480)             | 480J1300    | 1        |