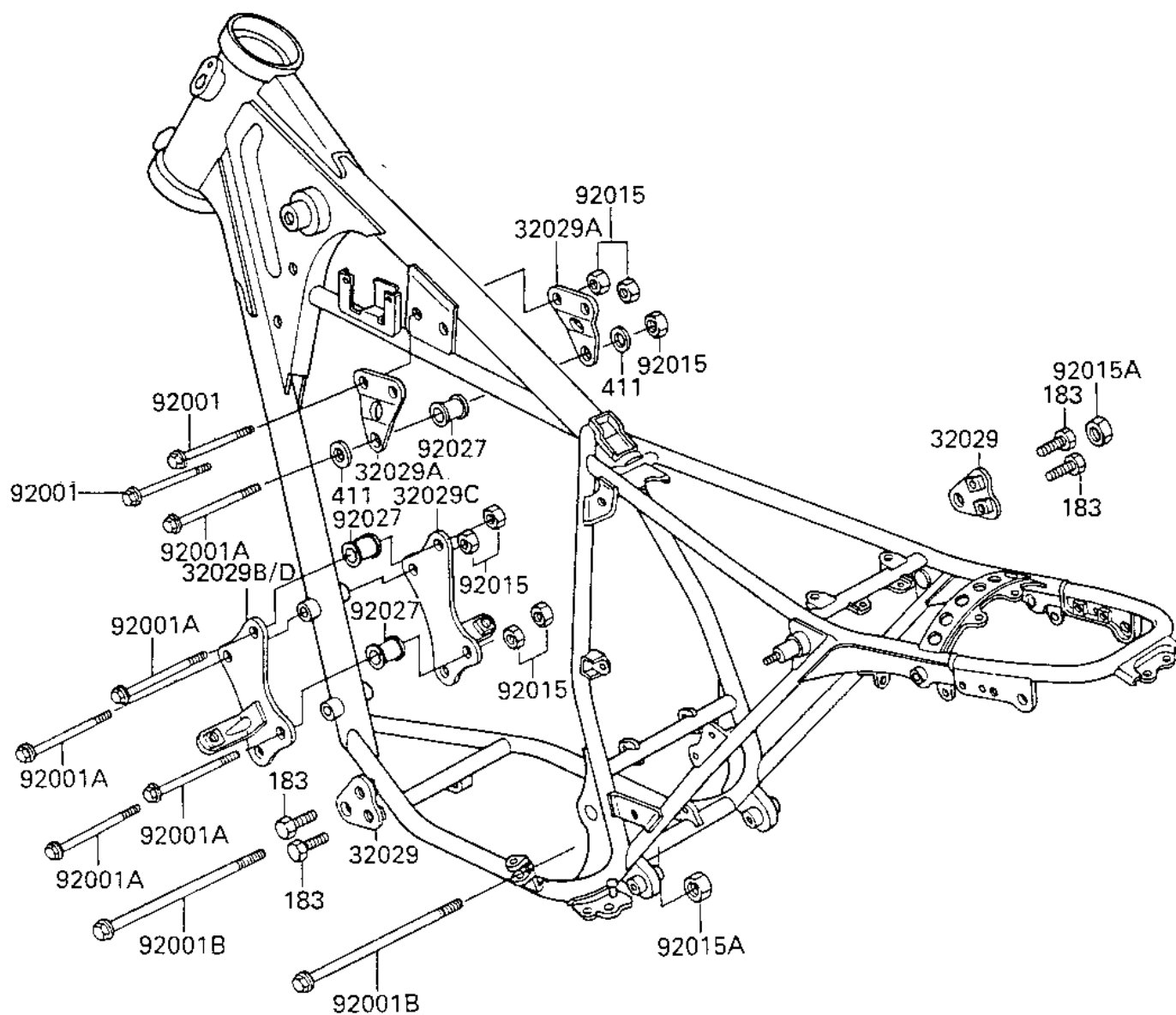


1983 KLR250 PARTS DIAGRAM

FRAME FITTINGS

F2131-0130



1983 KLR250 PARTS LIST

FRAME FITTINGS

ITEM NAME	PART NUMBER	QUANTITY
BRACKET,ENGINE (Ref # 32029)	32029-1008	2
BRACKET,ENGINE,HEAD (Ref # 32029A)	32029-1083	2
BRACKET,ENGINE,FR,LH (Ref # 32029B)	32029-1158	1
BRACKET,ENGINE,R.H. (Ref # 32029C)	32029-1128	1
BOLT,FLANGED,8X45 (Ref # 92001)	92001-1579	2
BOLT,FLANGED,8X85 (Ref # 92001A)	92001-1596	5
BOLT, FLANGED, 10X110 (Ref # 92001B)	92001-1602	2
NUT,LOCK,8MM (Ref # 92015)	92015-1124	7
NUT,10MM (Ref # 92015A)	92015-1429	2
COLLAR, (Ref # 92027)	92027-1180	3
BOLT-UPSET-WS-SMALL (Ref # 183)	183G0816	4
WASHER PLAIN 8MM (Ref # 411)	411B0800	2