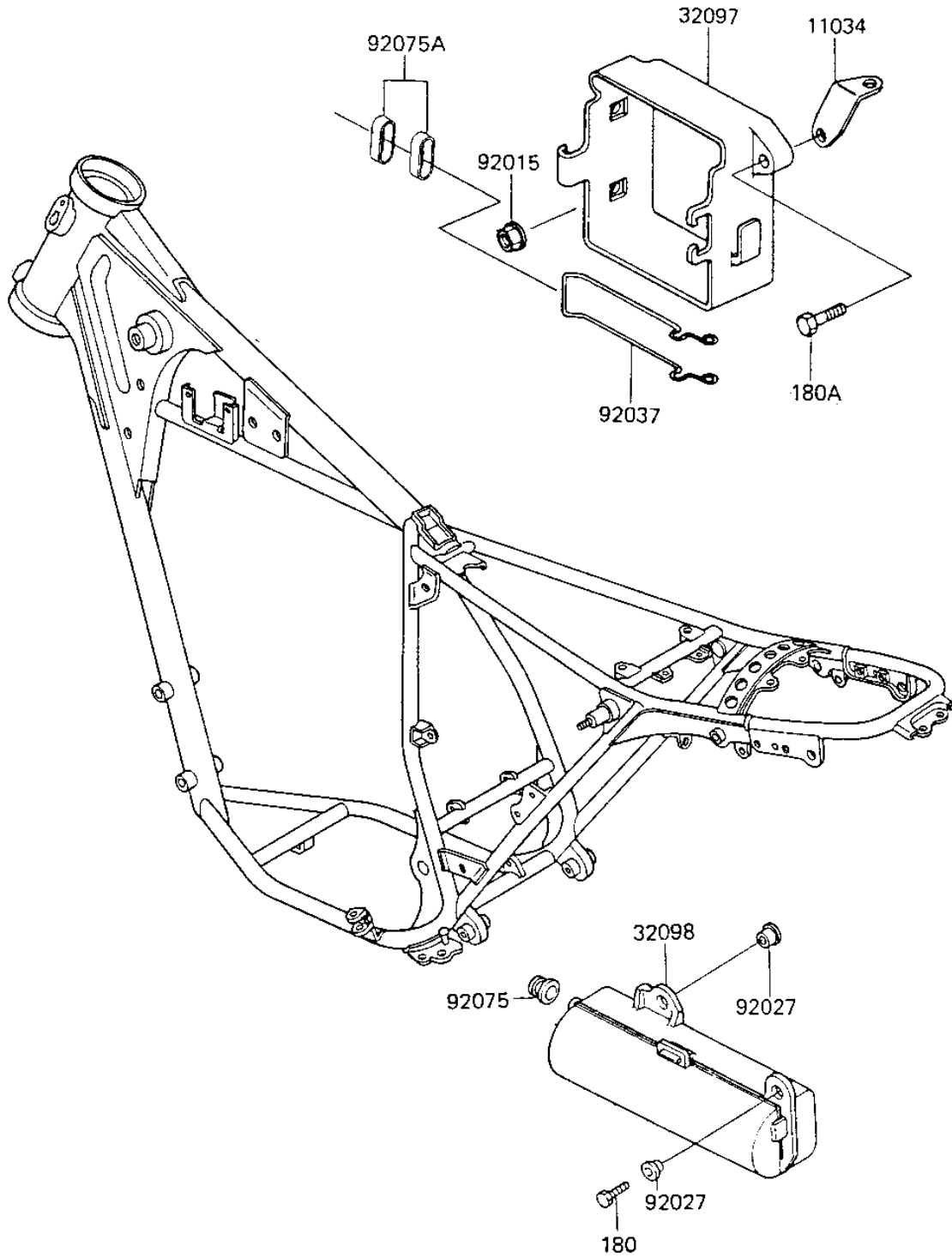


1984 KLR250 PARTS DIAGRAM

BATTERY CASE/TOOL CASE

F2132-0094



1984 KLR250 PARTS LIST

BATTERY CASE/TOOL CASE

ITEM NAME	PART NUMBER	QUANTITY
BRACKET, (Ref # 11034)	11034-1731	1
CASE,BATTERY (Ref # 32097)	32097-1021	1
CASE-TOOL (Ref # 32098)	32098-1019	1
NUT-6MM (Ref # 92015)	92015-1078	1
COLLAR (Ref # 92027)	92027-252	2
CLAMP (Ref # 92037)	92037-1120	1
DAMPER (Ref # 92075)	92075-1057	1
DAMPER,BATTERY (Ref # 92075A)	92075-1264	2
BOLT 6X16 (Ref # 180)	180B0616	1
BOLT-UPSET-WS,6X25 (Ref # 180A)	180B0625	1