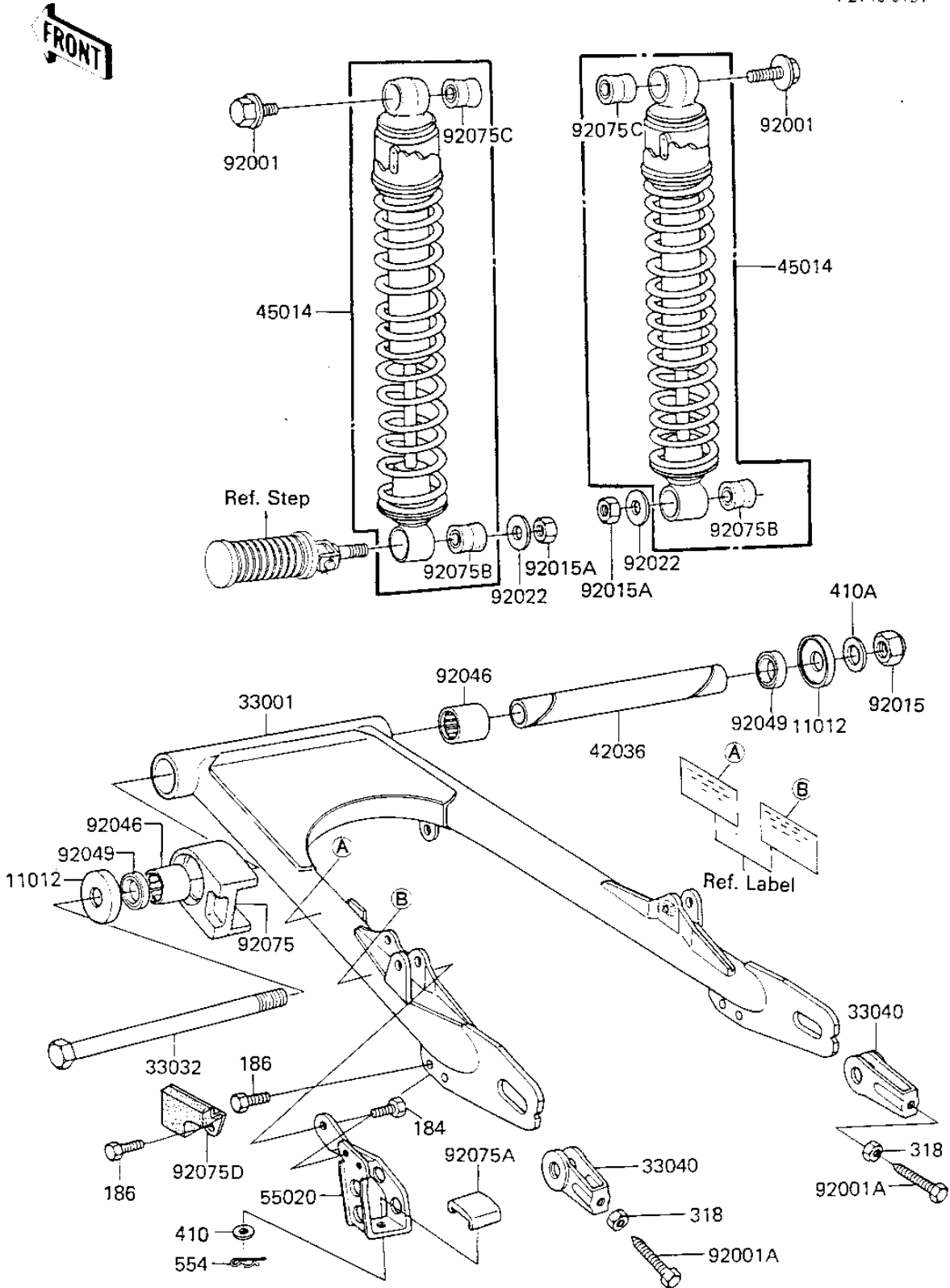


# 1983 KLR250 PARTS DIAGRAM

## SWING ARM/SHOCK ABSORBERS

F2140-0157



# 1983 KLR250 PARTS LIST

## SWING ARM/SHOCK ABSORBERS

| ITEM NAME                            | PART NUMBER | QUANTITY |
|--------------------------------------|-------------|----------|
| CAP,SWING ARM (Ref # 11012)          | 11012-1029  | 2        |
| ARM-COMP-SWING (Ref # 33001)         | 33001-1151  | 1        |
| SHAFT-SWING ARM PIVOT (Ref # 33032)  | 33032-037   | 1        |
| ADJUSTER,CHAIN (Ref # 33040)         | 33040-1010  | 2        |
| SLEEVE,SWING ARM (Ref # 42036)       | 42036-1004  | 1        |
| SHOCK ABSBR RR (Ref # 45014)         | 45014-1091  | 2        |
| GUARD,CHAIN (Ref # 55020)            | 55020-1019  | 1        |
| BOLT,HEX HEAD,6X10 (Ref # 92001)     | 92001-1034  | 2        |
| BOLT,8X50 (Ref # 92001A)             | 92001-1399  | 2        |
| NUT-LOCK,14MM (Ref # 92015)          | 92019-011   | 1        |
| NUT,10MM (Ref # 92015A)              | 92015-1429  | 2        |
| WASHER-PL-10.5X26X2.3 (Ref # 92022)  | 92022-044   | 2        |
| BEARING-NEEDLE,HK2216 (Ref # 92046)  | 92046-1115  | 2        |
| OIL SEAL,MHA22284 (Ref # 92049)      | 92049-1059  | 2        |
| DAMPER, (Ref # 92075)                | 92075-1144  | 1        |
| DAMPER (Ref # 92075A)                | 92075-1145  | 1        |
| BUSHING,SHOCK ABSORBE (Ref # 92075B) | 92075-1216  | 2        |
| BUSHING,SHOCK ABSORBE (Ref # 92075C) | 92075-1217  | 2        |
| DAMPER,SIDE STAND (Ref # 92075D)     | 92075-1309  | 1        |
| BOLT-UPSET-WP-SMALL (Ref # 184)      | 184B0812    | 1        |
| BOLT,6X20 (Ref # 186)                | 186B0620    | 2        |
| NUT 8MM (Ref # 318)                  | 318B0800    | 2        |
| WASHER PLAIN 10MM (Ref # 410)        | 410B1000    | 1        |
| WASHER PLAIN 14MM (Ref # 410A)       | 410B1400    | 1        |
| PIN,SNAP (Ref # 554)                 | 554A0800    | 1        |