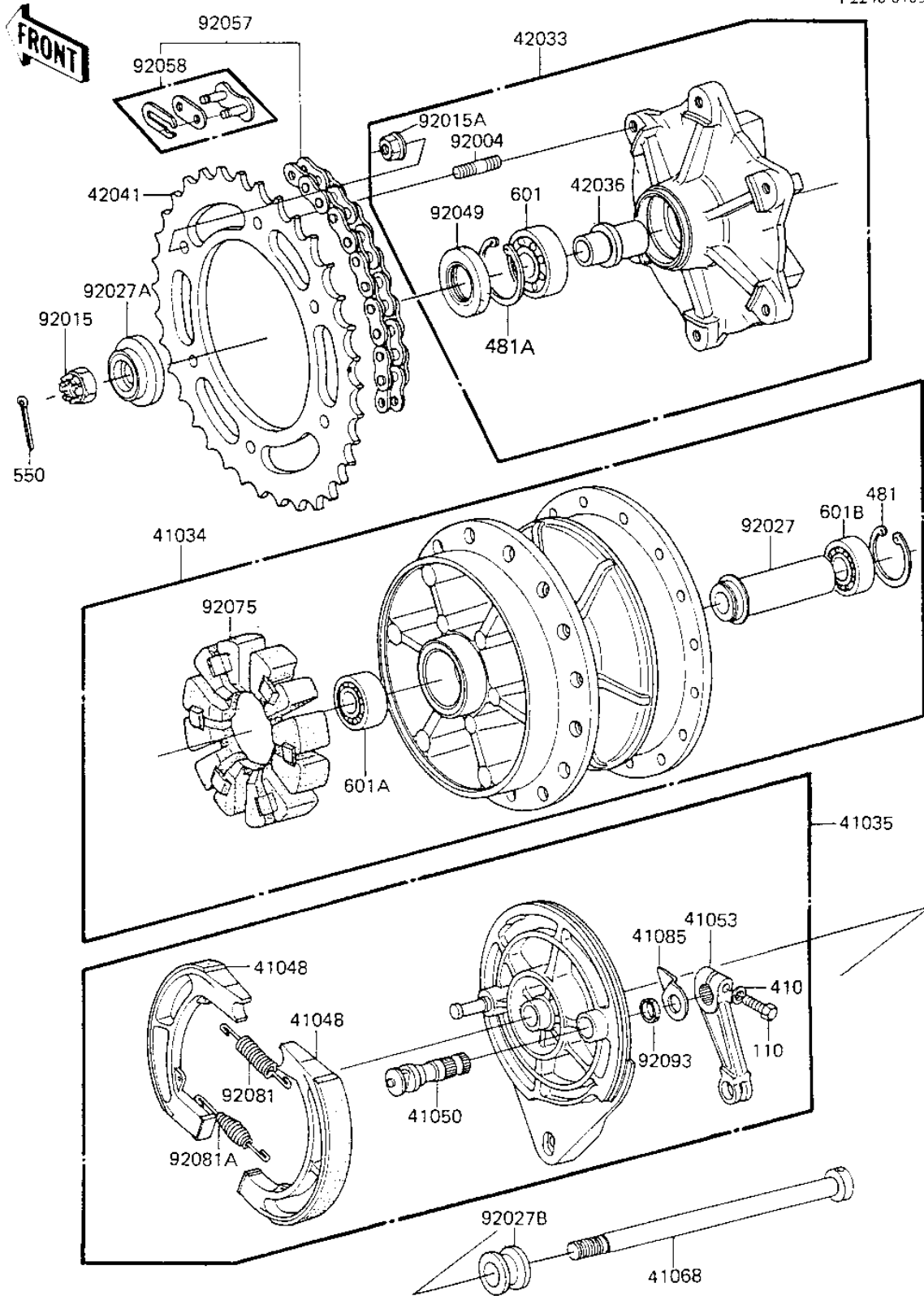


1983 KLR250 PARTS DIAGRAM

REAR HUB/BRAKE/CHAIN

F2240-0109



1983 KLR250 PARTS LIST

REAR HUB/BRAKE/CHAIN

| ITEM NAME | PART NUMBER | QUANTITY |
|-------------------------------------|-------------|----------|
| DRUM-ASSY,RR BRK (Ref # 41034) | 41034-1015 | 1 |
| PANEL-ASY,RR BRK (Ref # 41035) | 41035-1018 | 1 |
| SHOE BRAKE (Ref # 41048) | 41048-1012 | 2 |
| CAM,BRAKE,REAR (Ref # 41050) | 41050-1011 | 1 |
| LEVER,RR BRAKE (Ref # 41053) | 41053-1014 | 1 |
| AXLE,RR (Ref # 41068) | 41068-1104 | 1 |
| INDICATOR,FR BRK SHOE (Ref # 41085) | 41085-017 | 1 |
| COUPLING ASSY,RR HUB (Ref # 42033) | 42033-1010 | 1 |
| SLEEVE,RR HUB COUPLIN (Ref # 42036) | 42036-1020 | 1 |
| REAR SPROCKET,40T (Ref # 42041) | 42041-1053 | 1 |
| STUD,8X17 (Ref # 92004) | 92004-1015 | 6 |
| NUT,14MM (Ref # 92015) | 42045-020 | 1 |
| NUT,8M/M (Ref # 92015A) | 92015-1014 | 6 |
| COLLER,REAR BRAKE (Ref # 92027) | 92027-1099 | 1 |
| COLLAR,REAR AXLE,L.H (Ref # 92027A) | 92027-1100 | 1 |
| COLLAR,RR AXLE,R.H. (Ref # 92027B) | 92027-1176 | 1 |
| OIL SEAL,RR HUB BRNG (Ref # 92049) | 92050-060 | 1 |
| DR CHAIN 520X96 (Ref # 92057) | 92057-1002 | 1 |
| CHAIN JOINT 520 (Ref # 92058) | 92058-1001 | 1 |
| DAMPER,RR HUB,SHOCK (Ref # 92075) | 92075-1068 | 1 |
| SPRING,BRAKE SHOE (Ref # 92081) | 92081-1766 | 1 |
| SPRING,BRAKE SHOE (Ref # 92081A) | 92081-1550 | 1 |
| DUST SHIELD BRAKE CAM (Ref # 92093) | 41051-001 | 1 |
| BOLT-UPSET (Ref # 110) | 112G0622 | 1 |
| WASHER PLAIN 6MM (Ref # 410) | 410B0600 | 1 |
| CIRCLIP,35MM (Ref # 481) | 481J3500 | 1 |
| CIRCLIP,42MM (Ref # 481A) | 92033-1041 | 1 |
| PIN COTTER 3.0X25 (Ref # 550) | 550D3025 | 1 |
| BEARING BALL #6004 (Ref # 601) | 601B6004 | 1 |

1983 KLR250 PARTS LIST

REAR HUB/BRAKE/CHAIN

| ITEM NAME | PART NUMBER | QUANTITY |
|------------------------------------|-------------|----------|
| BEARING BALL #6202 (Ref # 601A) | 601B6202 | 1 |
| BEARING,BALL,#6202UC3 (Ref # 601B) | 601B6202U | 1 |