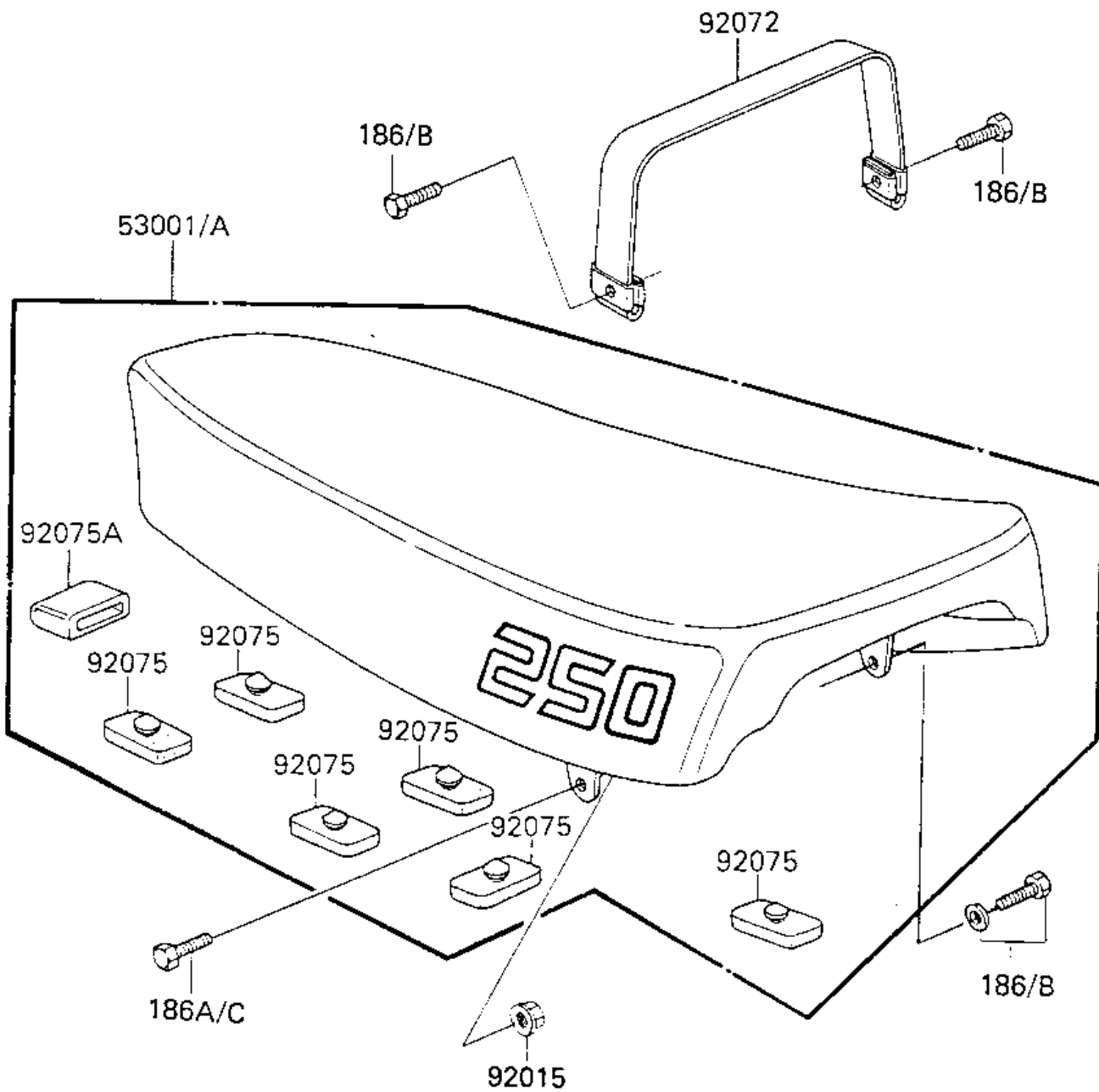


1984 KLR250 PARTS DIAGRAM

SEAT

F2510-0191



1984 KLR250 PARTS LIST

SEAT

ITEM NAME	PART NUMBER	QUANTITY
SEAT-ASSY (Ref # 53001A)	53001-1367	1
NUT-6MM (Ref # 92015)	92015-1078	2
BAND,SEAT (Ref # 92072)	92072-1041	1
DAMPER,SEAT (Ref # 92075)	92075-1153	6
DAMPER RUBBER,SEAT (Ref # 92075A)	92075-219	1
186B0640 (Canada) (Ref # 186B)	186N0640	3