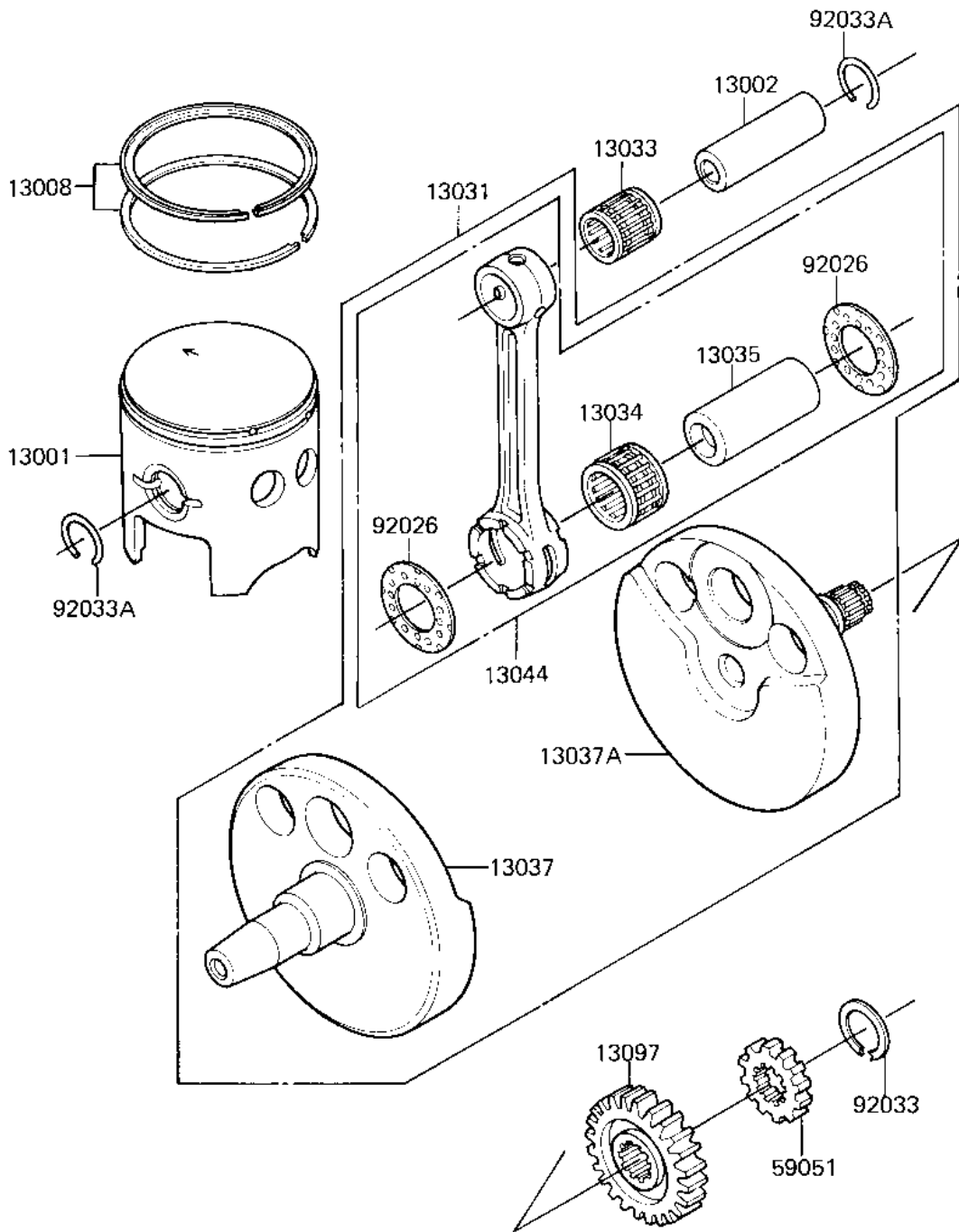


1983 KX250 PARTS DIAGRAM

CRANKSHAFT/PISTON ('83 KX250-C1)



L1321-0047



1983 KX250 PARTS LIST

CRANKSHAFT/PISTON ('83 KX250-C1)

| ITEM NAME | PART NUMBER | QUANTITY |
|-------------------------------------|-------------|----------|
| PISTON,STD (Ref # 13001) | 13001-1004 | 1 |
| PIN-PISTON (Ref # 13002) | 13002-017 | 1 |
| RING SET,STD (Ref # 13008) | 13008-5008 | 1 |
| CRANKSHAFT-COMP (Ref # 13031) | 13031-1189 | 1 |
| BEARING-SMALL END (Ref # 13033) | 13033-1010 | 1 |
| BEARING-BIG END (Ref # 13034) | 13034-1034 | 1 |
| PIN,CRANK (Ref # 13035) | 13035-034 | 1 |
| CRANKSHAFT (Ref # 13037) | 13037-1097 | 1 |
| CRANKSHAFT,RH (Ref # 13037A) | 13037-1158 | 1 |
| SET-CONNECTING ROD (Ref # 13044) | 13044-5045 | 1 |
| GEAR-PRIMARY SPUR,20T (Ref # 13097) | 13097-1070 | 1 |
| GEAR-SPUR,WATER PUMP, (Ref # 59051) | 59051-1049 | 1 |
| SPACER (Ref # 92026) | 92026-1241 | 2 |
| CIRCLIP,25MM (Ref # 92033) | 92033-025 | 1 |
| CIRCLIP-PISTON PIN (Ref # 92033A) | 92036-015 | 2 |