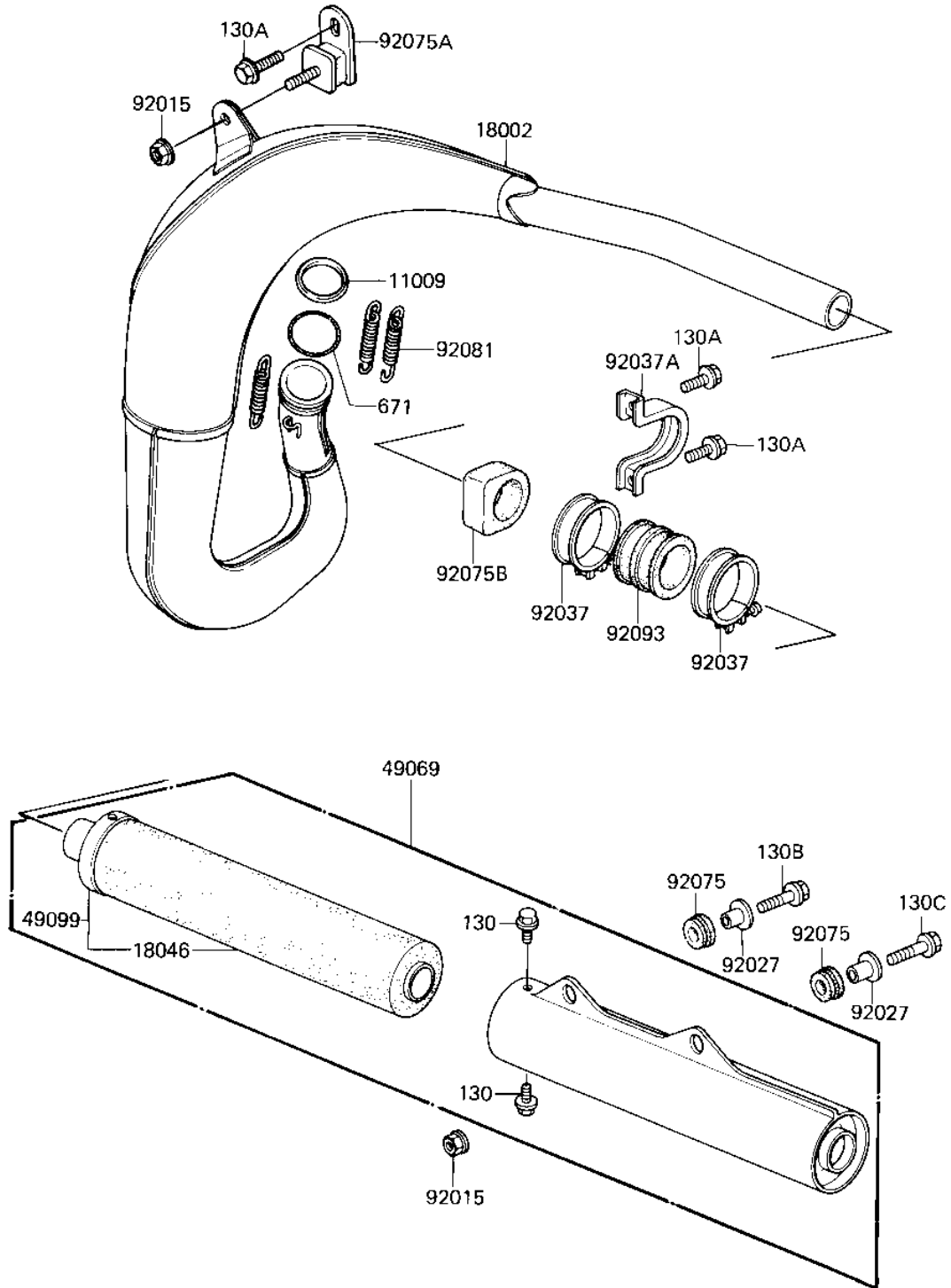


1983 KX250 PARTS DIAGRAM

MUFFLER ('83 KX250-C1)



E1140-0129



1983 KX250 PARTS LIST

MUFFLER ('83 KX250-C1)

ITEM NAME	PART NUMBER	QUANTITY
GASKET,EXHAUST PIPE (Ref # 11009)	11009-1253	1
BODY-COMP-MUFFLER (Ref # 18002)	18002-1294	1
WOOL,MUFFLER BAFFLE P (Ref # 18046)	18046-1075	1
MUFFLER-ASSY (Ref # 49069)	49069-1006	1
BAFFLE-PIPE MUFFLER (Ref # 49099)	49099-1110	1
NUT-6MM (Ref # 92015)	92015-1078	2
COLLAR,SEAT (Ref # 92027)	92027-1062	2
CLAMP,CARBURETOR,40MM (Ref # 92037)	92037-1129	2
CLAMP,MUFFLER (Ref # 92037A)	92037-1372	1
DAMPER, HEAD LMP FITT (Ref # 92075)	92075-1123	2
DAMPER,MUFFLER (Ref # 92075A)	92075-1891	1
DAMPER,MUFFLER (Ref # 92075B)	92075-1428	1
SPRING,MUFFLER CONECT (Ref # 92081)	92081-1526	3
SEAL,MUFFLER (Ref # 92093)	92093-1085	1
BOLT-FLANGED (Ref # 130)	130G0508	2
BOLT,FLANGED,6X12 (Ref # 130A)	130G0612	3
BOLT,FLANGED,6X20 (Ref # 130B)	130G0620	1
BOLT,FLANGED,6X25 (Ref # 130C)	130G0625	1
O RING,50MM (Ref # 671)	671E2550	1