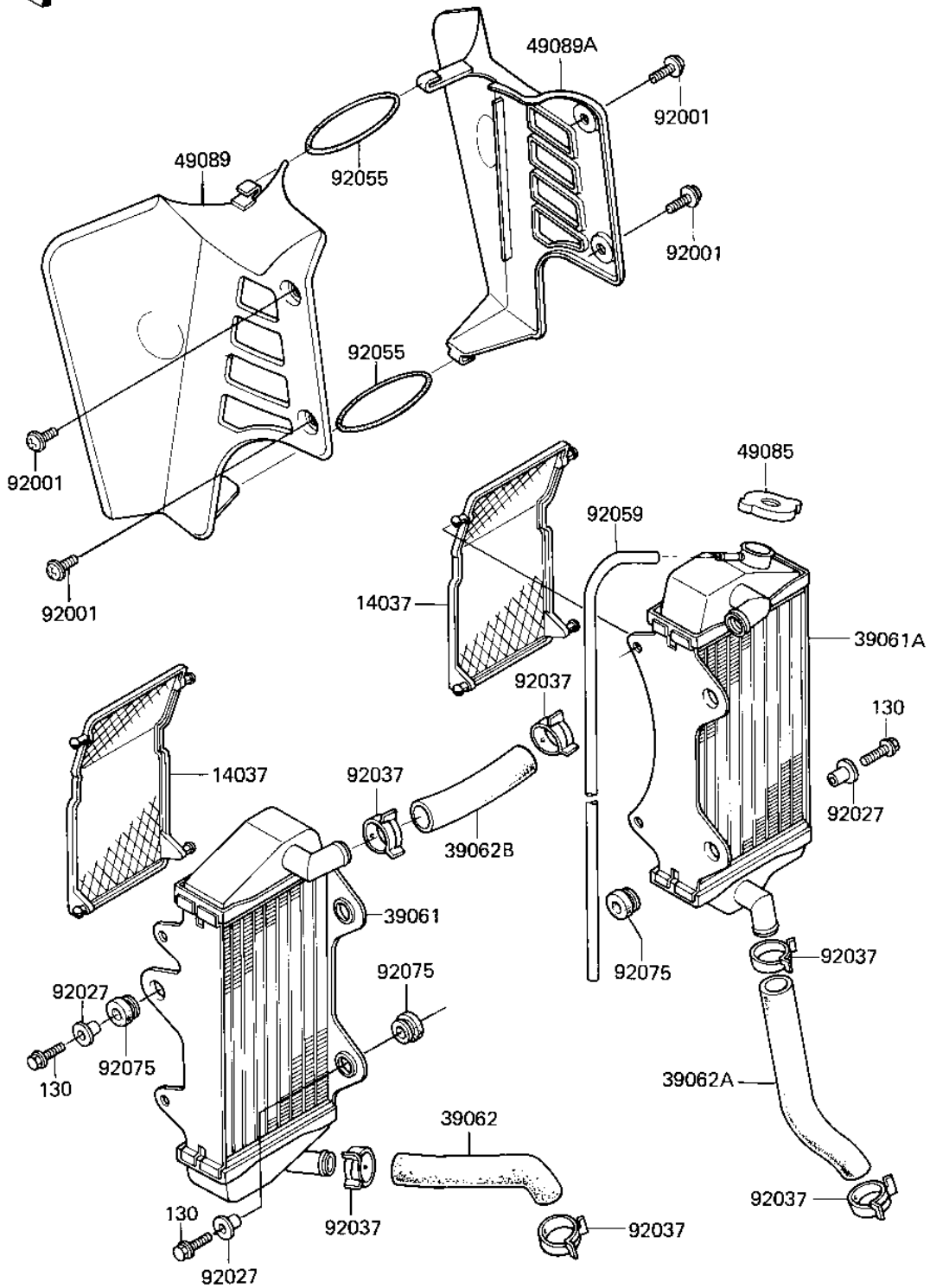


# 1983 KX250 PARTS DIAGRAM

RADIATORS ('83 KX250-C1)

E3032-0005



# 1983 KX250 PARTS LIST

## RADIATORS ('83 KX250-C1)

ITEM NAME	PART NUMBER	QUANTITY
SCREEN,RADIATOR (Ref # 14037)	14037-1006	2
RADIATOR,LH (Ref # 39061)	39061-1014	1
RADIATOR,RH (Ref # 39061A)	39061-1015	1
HOSE-COOLING,ACCUMULA (Ref # 39062)	39062-1011	1
HOSE-COOLING,RADIATOR (Ref # 39062A)	39062-1012	1
HOSE-COOLING,RADIATOR (Ref # 39062B)	39062-1017	1
CAP-ASSY-PRESSURE (Ref # 49085)	49085-1003	1
SHROUD-ENGINE,LH,L.GR (Ref # 49089)	49089-1004-6W	1
SHROUD-ENGINE,RH,L.GR (Ref # 49089A)	49089-1005-6W	1
SCREW,6X10 (Ref # 92001)	92009-1286	4
COLLAR,RADIATOR GUARD (Ref # 92027)	92027-1183	6
CLAMP,COOLING HOSE (Ref # 92037)	92037-1364	6
O RING (Ref # 92055)	92055-1001	2
TUBE,5X9X800 (Ref # 92059)	92059-1383	1
DAMPER,RADIATOR (Ref # 92075)	92075-1352	6
BOLT,FLANGED,6X20 (Ref # 130)	130G0620	6