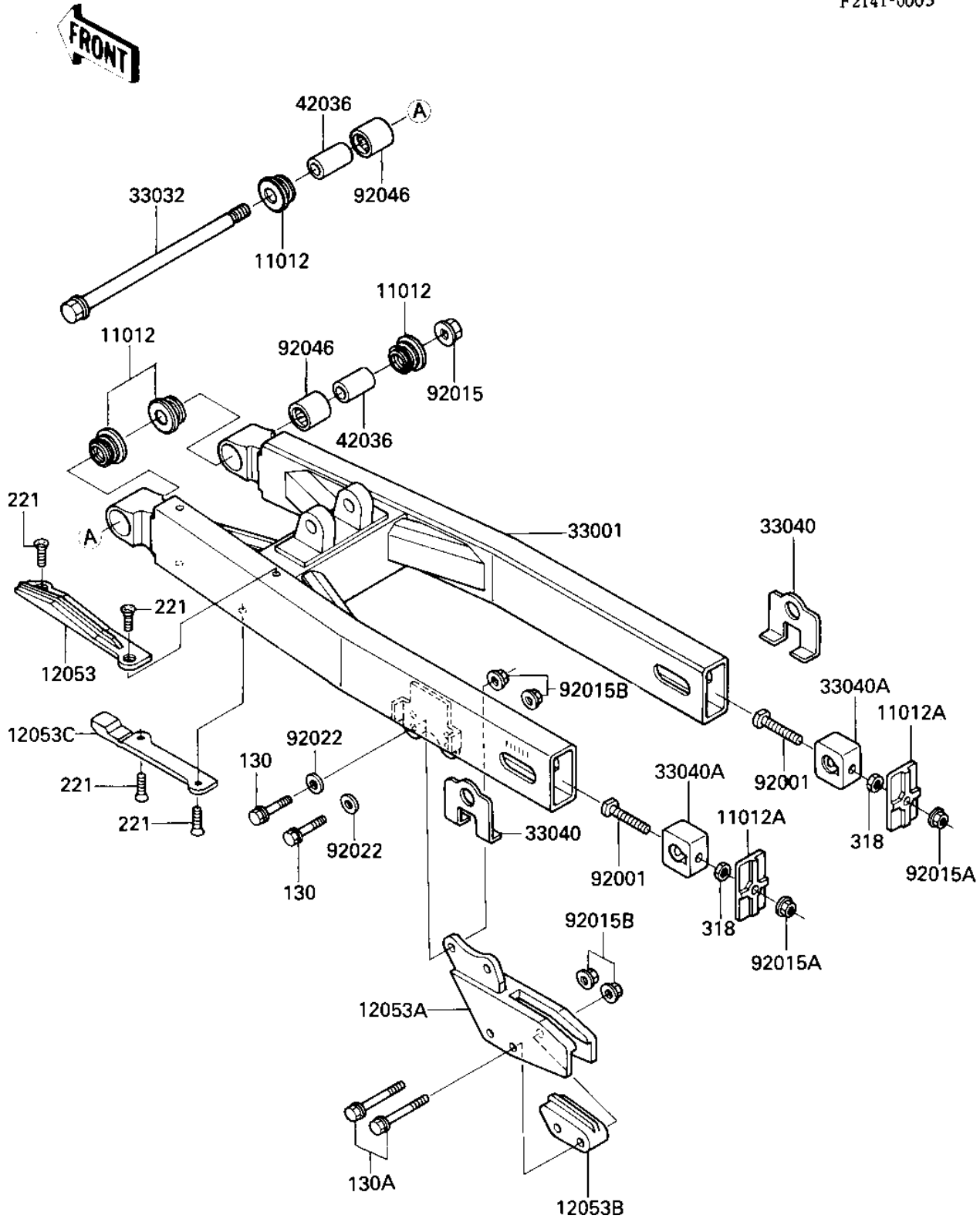


1984 KX250 PARTS DIAGRAM

SWING ARM ('84 KX250-C2)

F2141-0003



1984 KX250 PARTS LIST

SWING ARM ('84 KX250-C2)

ITEM NAME	PART NUMBER	QUANTITY
CAP,SWING ARM (Ref # 11012)	11012-1355	4
CAP,CHAIN ADJUSTER (Ref # 11012A)	11012-1431	2
GUIDE-CHAIN,FR,UPP (Ref # 12053)	12053-1101	1
GUIDE-CHAIN,RR (Ref # 12053A)	12053-1136	1
GUIDE-CHAIN,RR,INSIDE (Ref # 12053B)	12053-1105	1
GUIDE-CHAIN (Ref # 12053C)	12053-1144	1
ARM-COMP-SWING (Ref # 33001)	33001-1205	1
SHAFT-SWING ARM (Ref # 33032)	33032-1042	1
ADJUSTER-CHAIN,OUTSID (Ref # 33040)	33040-1053	2
ADJUSTER-CHAIN,INSIDE (Ref # 33040A)	33040-1062	2
SLEEVE,SWING ARM (Ref # 42036)	42036-1064	2
BOLT,8X57 (Ref # 92001)	92001-1976	2
NUT,14MM (Ref # 92015)	92015-1407	1
NUT-8MM (Ref # 92015A)	92015-1143	2
NUT-6MM (Ref # 92015B)	92015-1078	4
WASHER 6.5X20X1.6T (Ref # 92022)	92022-125	2
BRG,NEEDLE,HMK2030 (Ref # 92046)	92046-1031	2
BOLT,FLANGED,6X25 (Ref # 130)	130G0625	2
BOLT,FLANGED,6X40 (Ref # 130A)	130G0640	2
SCREW CNTSNK HD 6X10 (Ref # 221)	221B0610	4
NUT 8MM (Ref # 318)	318G0800	2