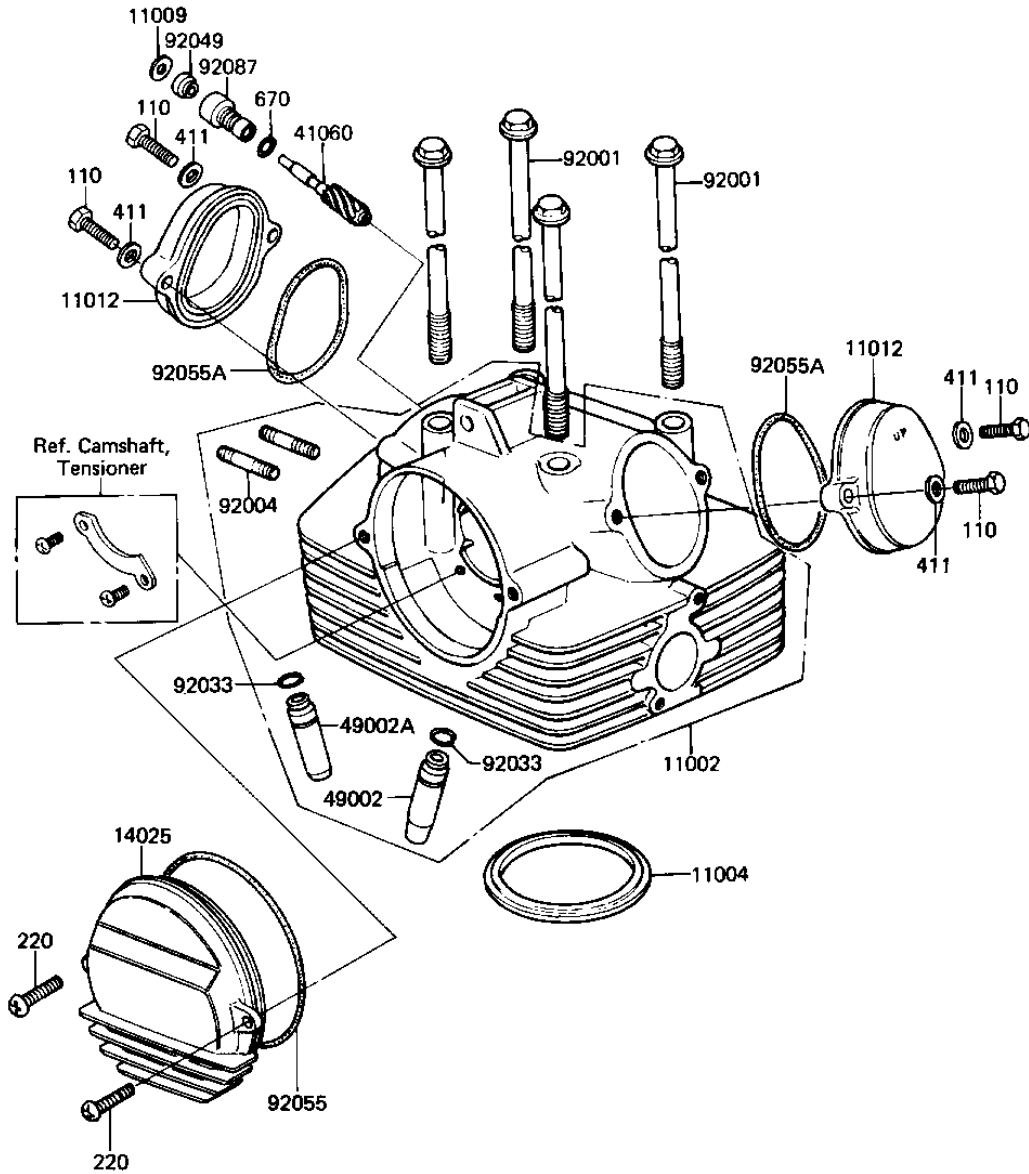


1983 LTD Belt PARTS DIAGRAM

CYLINDER HEAD/COVERS

E1111-0094



1983 LTD Belt PARTS LIST

CYLINDER HEAD/COVERS

| ITEM NAME | PART NUMBER | QUANTITY |
|-------------------------------------|-------------|----------|
| HEAD-ASSY-CYLINDER (Ref # 11002) | 11002-5027 | 1 |
| GASKET,CYLINDER HEAD (Ref # 11004) | 11004-1002 | 1 |
| GASKET,TACHO GEAR (Ref # 11009) | 92065-104 | 1 |
| CAP,ROCKER ARM (Ref # 11012) | 11012-1486 | 2 |
| COVER,CAMSHAFT (Ref # 14025) | 14025-1544 | 1 |
| GEAR,TACHOMETER (Ref # 41060) | 13223-012 | 1 |
| GUIDE,INLET VALVE (Ref # 49002) | 12013-009 | 1 |
| GUIDE,EXHAUST VALVE (Ref # 49002A) | 49002-1002 | 1 |
| BOLT,8X233 (Ref # 92001) | 92003-220 | 4 |
| STUD,8X30 (Ref # 92004) | 92004-1043 | 2 |
| CIRCLIP-VALVE (Ref # 92033) | 92036-023 | 2 |
| OIL SEAL (Ref # 92049) | 92050-075 | 1 |
| "O" RING,99M/M (Ref # 92055) | 92055-107 | 1 |
| "O" RING,53.5MM (Ref # 92055A) | 92055-112 | 2 |
| GUIDE,TACHOMETER GEAR (Ref # 92087) | 92087-011 | 1 |
| BOLT-UPSET (Ref # 110) | 112G0625 | 4 |
| SCREW PAN HEAD 6X16 (Ref # 220) | 220B0616 | 2 |
| WASHER PLAIN 6MM (Ref # 411) | 411B0600 | 4 |
| "O" RING,10MM (Ref # 670) | 670D1510 | 1 |