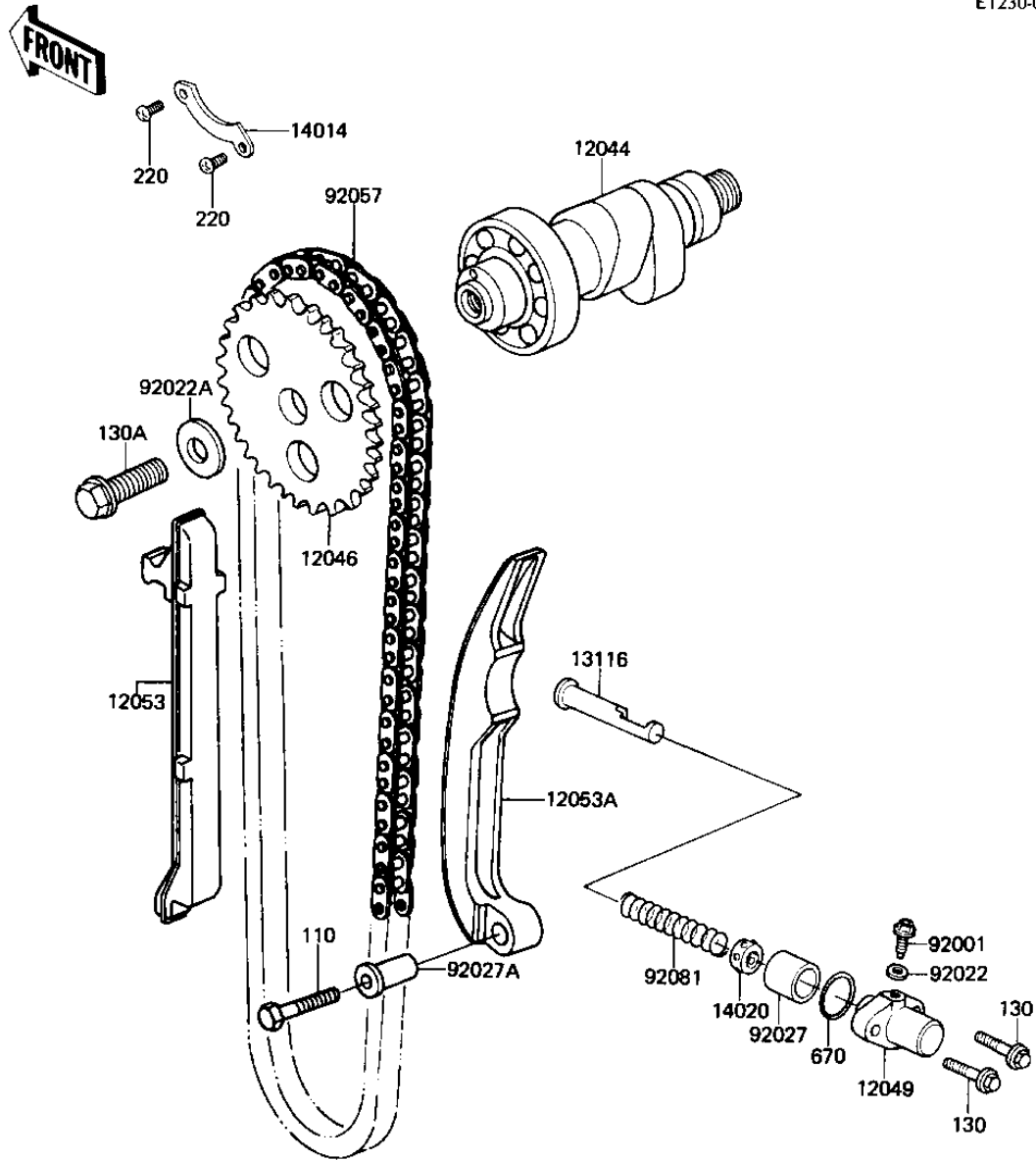


# 1983 LTD Belt PARTS DIAGRAM

CAMSHAFT/CHAIN/TENSIONER

E1230-0030



# 1983 LTD Belt PARTS LIST

## CAMSHAFT/CHAIN/TENSIONER

| ITEM NAME                           | PART NUMBER | QUANTITY |
|-------------------------------------|-------------|----------|
| CAMSHAFT-VALVE (Ref # 12044)        | 12044-1053  | 1        |
| SPROCKET,CAM CHAIN,32 (Ref # 12046) | 12046-1037  | 1        |
| TENSIONER,CAM CHAIN (Ref # 12049)   | 12049-1055  | 1        |
| SLIPER,CAM CHAIN (Ref # 12053)      | 12053-023   | 1        |
| SLIPER,CAM CHAIN (Ref # 12053A)     | 12053-024   | 1        |
| ROD,PUSH,CAM CHAIN (Ref # 13116)    | 13116-1019  | 1        |
| PLATE-POSITION (Ref # 14014)        | 14014-1030  | 1        |
| RETAINER (Ref # 14020)              | 14020-1002  | 1        |
| BELT,TENSIONER ADJUST (Ref # 92001) | 92001-1155  | 1        |
| WASHER OIL PUMP BANJO (Ref # 92022) | 92022-077   | 1        |
| WASHER,10X22X3 (Ref # 92022A)       | 92022-1365  | 1        |
| COLLAR,TENSIONER (Ref # 92027)      | 92027-1273  | 1        |
| COLLAR (Ref # 92027A)               | 92027-155   | 1        |
| SPRING,TENSIONER (Ref # 92057)      | 92081-1105  | 1        |
| SPRING,TENSIONER (Ref # 92081)      | 92081-1105  | 1        |
| BOLT-UPSET (Ref # 110)              | 112G0630    | 1        |
| BOLT,FLANGED,6X25 (Ref # 130)       | 130G0625    | 2        |
| BOLT-FLANGED,10X25 (Ref # 130A)     | 130G1025    | 1        |
| SCREW PAN HEAD 6X10 (Ref # 220)     | 220B0610    | 2        |
| "0" RING,21MM (Ref # 670)           | 670B2021    | 1        |