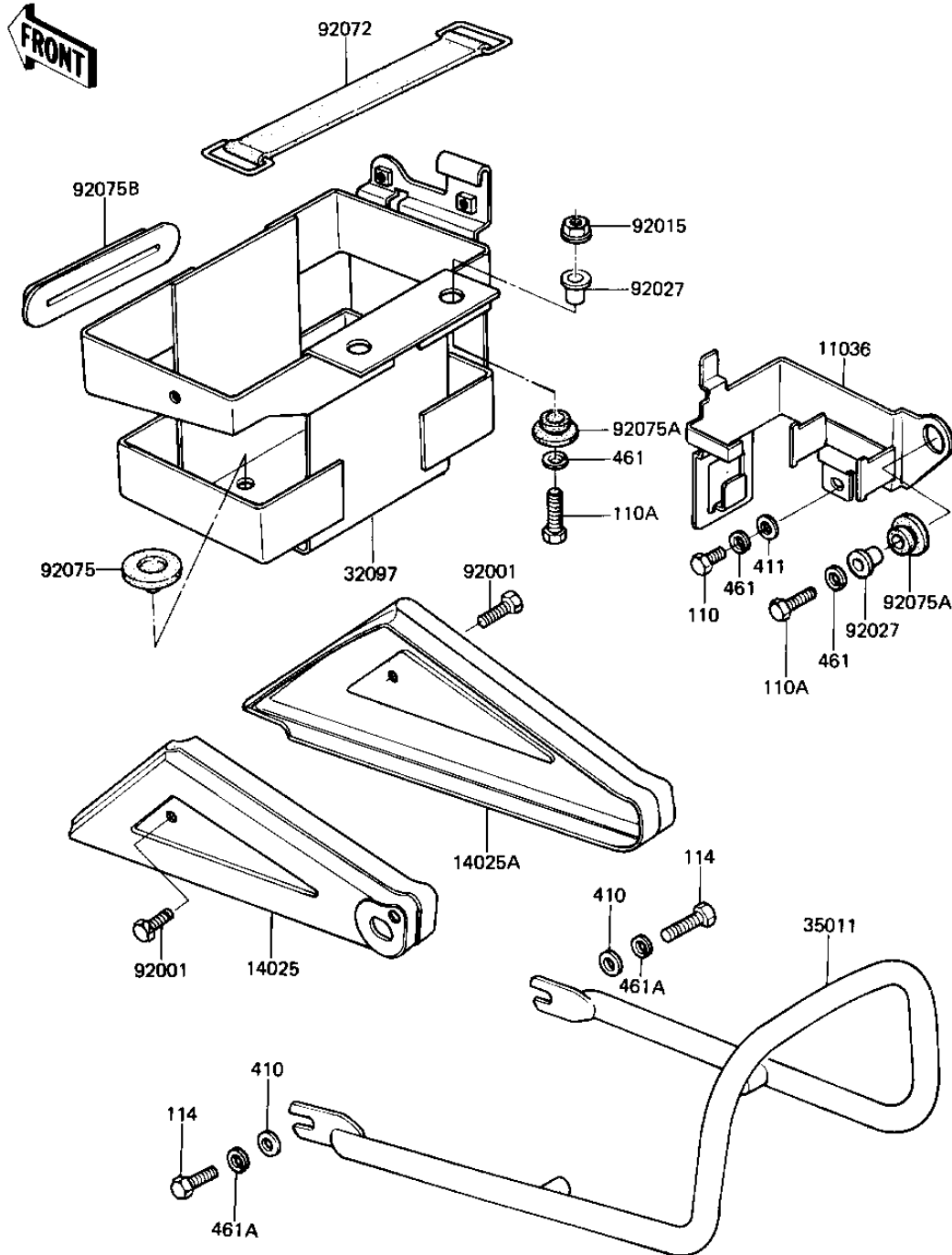


# 1983 LTD Belt PARTS DIAGRAM

BATTERY CASE/ELECTRO BRACKET

F2132-0086



# 1983 LTD Belt PARTS LIST

## BATTERY CASE/ELECTRO BRACKET

ITEM NAME	PART NUMBER	QUANTITY
BRACKET-A,ELECTRICAL (Ref # 11036)	11036-1637	1
14025-5106 (Canada) (Ref # 14025)	14025-1556	1
COVER,MUFFLER STAY,RH (Ref # 14025A)	14025-5107	1
CASE-BATTERY (Ref # 32097)	32097-1058	1
STAY (Ref # 35011)	35011-1105	1
BOLT,6X10,BLACK (Ref # 92001)	92001-1525	2
NUT-6MM (Ref # 92015)	92015-1078	2
COLLAR (Ref # 92027)	92027-194	3
BAND BATTERY (Ref # 92072)	92072-006	1
DAMPER RUBBER (Ref # 92075)	92075-078	4
DAMPER RUBBER (Ref # 92075A)	92075-277	3
DAMPER RUBBER (Ref # 92075B)	92075-280	1
BOLT-UPSET,6X12 (Ref # 110)	112G0612	1
BOLT 6X22 (Ref # 110A)	112B0622	3
BOLT-SMALL-UPSET,8X16 (Ref # 114)	115G0816	2
WASHER PLAIN 8MM (Ref # 410)	410B0800	2
WASHER PLAIN 6MM (Ref # 411)	411B0600	1
WASHER SPRING 6MM (Ref # 461)	461F0600	4
WASHER SPRING 8MM (Ref # 461A)	461F0800	2