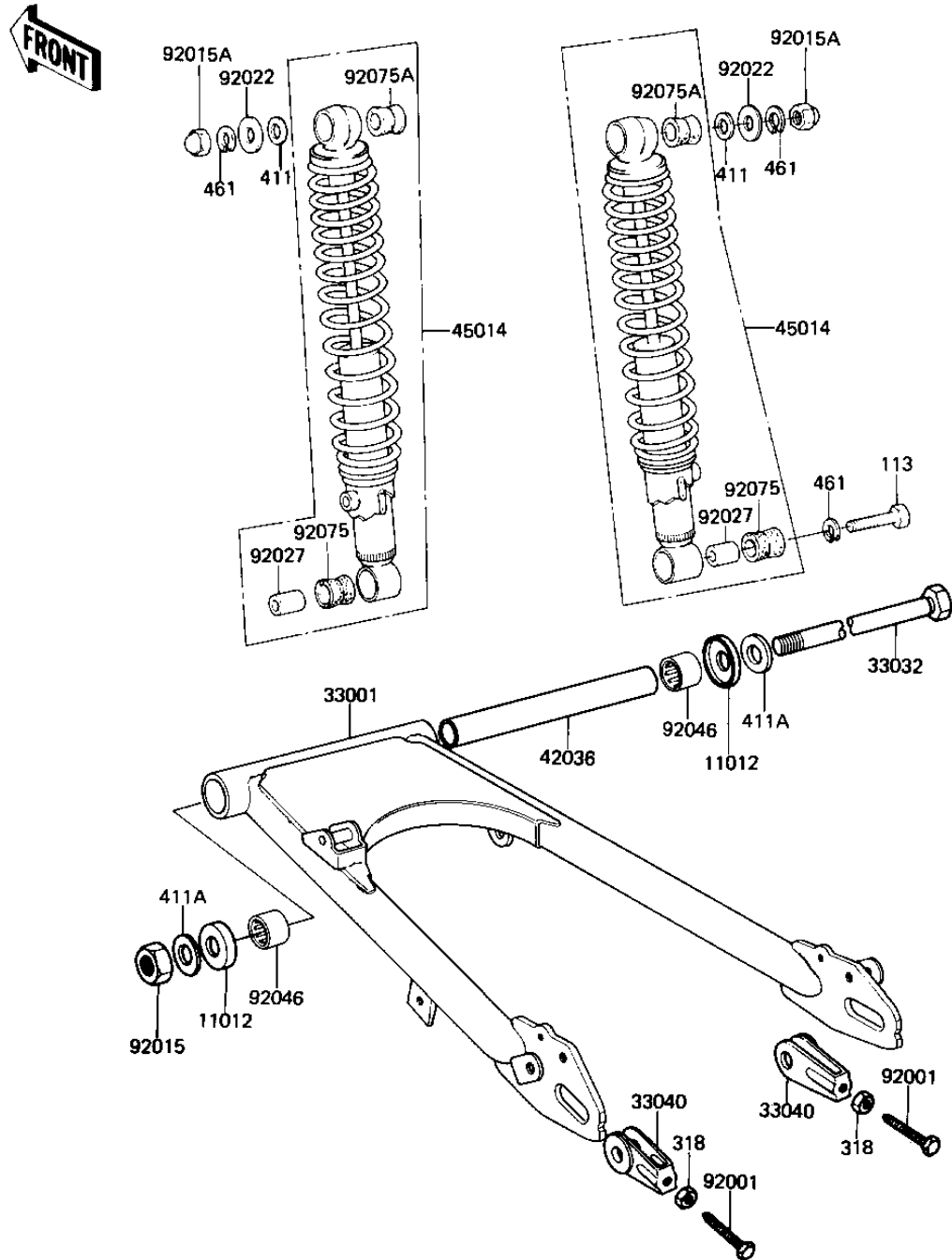


# 1983 LTD Belt PARTS DIAGRAM

SWING ARM/SHOCK ABSORBERS

F2140-0142



# 1983 LTD Belt PARTS LIST

## SWING ARM/SHOCK ABSORBERS

ITEM NAME	PART NUMBER	QUANTITY
CAP,SWING ARM (Ref # 11012)	33035-010	2
ARM-COMP-SWING (Ref # 33001)	33001-1150	1
SHAFT-SWING ARM (Ref # 33032)	33032-1022	1
ADJUSTER,CHAIN (Ref # 33040)	33040-1010	2
SLEEVE SWING ARM (Ref # 42036)	42036-1021	1
SHOCK ABSBR RR (Ref # 45014)	45014-1138	2
BOLT,8X50 (Ref # 92001)	92001-1399	2
NUT-LOCK,14MM (Ref # 92015)	92019-011	1
NUT SHOCK ABSORBER (Ref # 92015A)	92020-003	2
WASHER-PLN,10X22X3.2 (Ref # 92022)	92022-176	2
BUSHING,SHOCK ABSORB (Ref # 92027)	45016-008	2
BEARING-NEEDLE,HK2216 (Ref # 92046)	92046-1115	2
BUSHING, SHCK ABS RUB (Ref # 92075)	45017-012	2
BUSHING,SHCK ABS RUB (Ref # 92075A)	45017-015	2
BOLT HEX HEAD 10X35 (Ref # 113)	113N1035	2
NUT 8MM (Ref # 318)	318B0800	2
WASHER PLAIN 10MM (Ref # 411)	411B1000	2
WASHER PLAIN 14MM (Ref # 411A)	411B1400	2
WASHER SPRING 10MM (Ref # 461)	461F1000	4