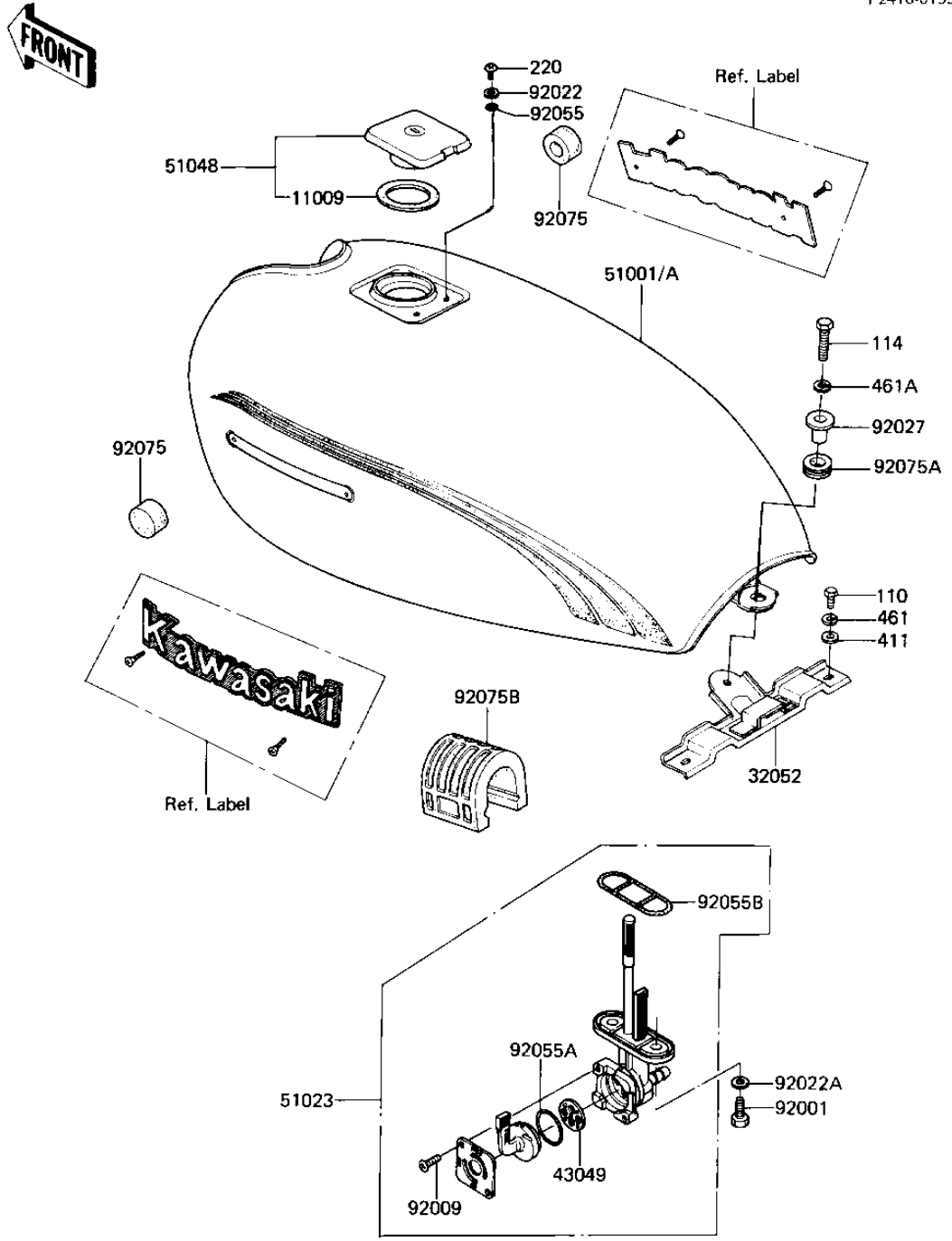


1983 LTD Belt PARTS DIAGRAM

FUEL TANK

F2410-0133



1983 LTD Belt PARTS LIST

FUEL TANK

ITEM NAME	PART NUMBER	QUANTITY
GASKET,FUEL TANK CAP (Ref # 11009)	11009-1051	1
BRACKET-TANK (Ref # 32052)	32052-1079	1
PACKING,FUEL TAP VALV (Ref # 43049)	43049-1017	1
TANK-COMP-FUEL,L.M.RE (Ref # 51001)	51001-5308-E2	1
TANK-COMP-FUEL,EBONY (Ref # 51001A)	51001-5308-H8	1
TAP-ASSY,FUEL (Ref # 51023)	51023-1038	1
CAP ASSY TANK (Ref # 51048)	51048-1018	1
BOLT,6X20,FUEL TAP (Ref # 92001)	92001-1091	2
SCREW PAN HEAD 3X5 (Ref # 92009)	220B0305A	2
WASHER,PLAIN (Ref # 92022)	92022-1038	2
WASHER-PLAIN (Ref # 92022A)	92022-183	2
COLLAR,FUEL TANK FITT (Ref # 92027)	92027-1134	1
"0" RING (Ref # 92055)	92055-1023	2
"0" RING,FUEL TAP LEV (Ref # 92055A)	92055-1111	1
"0" RING,FUEL TANK (Ref # 92055B)	92055-1112	1
DAMPER RUBBER-FL TANK (Ref # 92075)	92075-101	2
DAMPER,FUEL TANK,FITT (Ref # 92075A)	92075-1116	1
DAMPER RUBBER,FL TNK (Ref # 92075B)	92075-215	1
BOLT-UPSET,6X12 (Ref # 110)	112G0612	2
BOLT-SMALL-UPSET,8X30 (Ref # 114)	115G0830	1
SCREW PAN HEAD 5X10 (Ref # 220)	220B0510	2
WASHER PLAIN 6MM (Ref # 411)	411B0600	2
WASHER SPRING 6MM (Ref # 461)	461F0600	2
WASHER SPRING 8MM (Ref # 461A)	461F0800	1