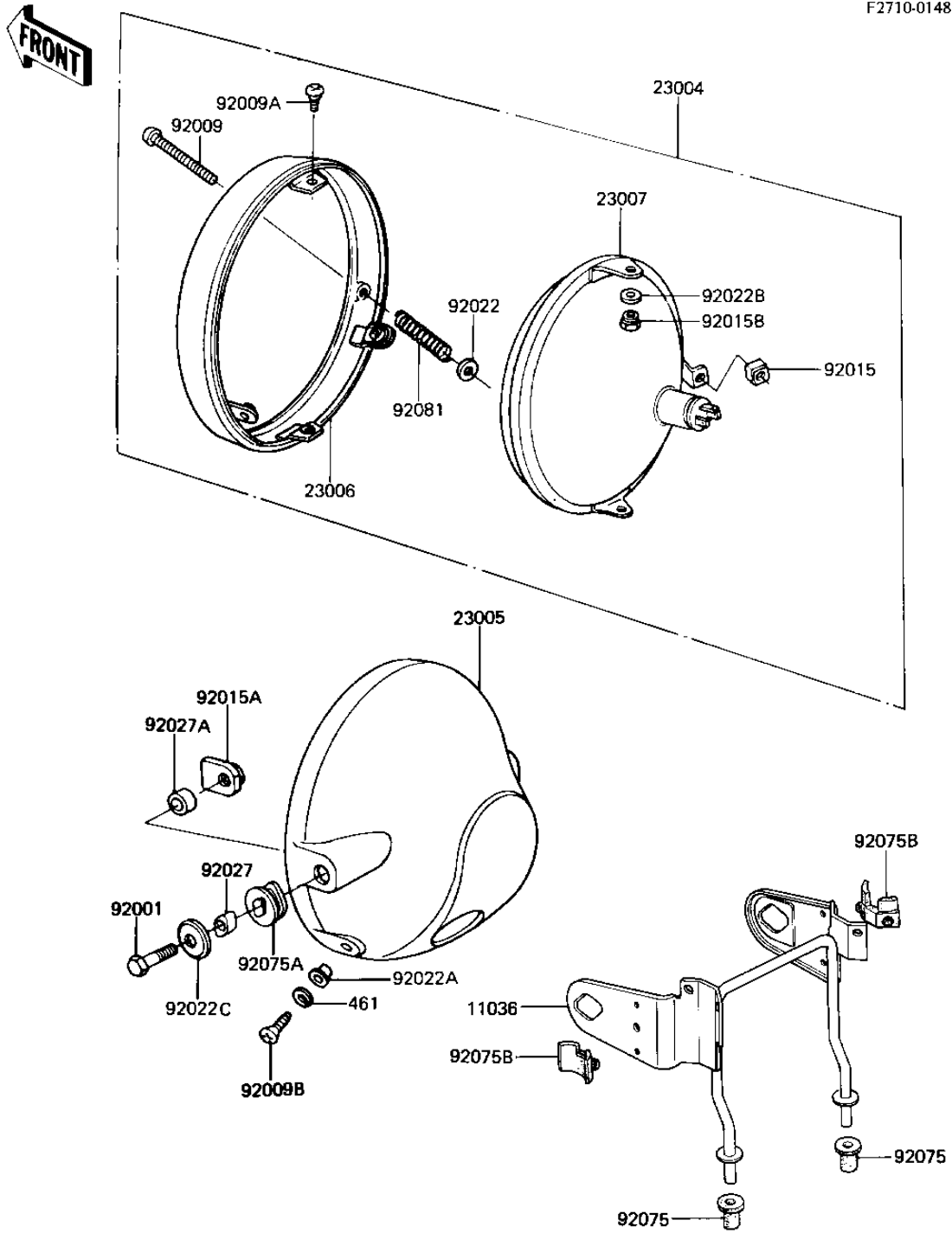


1983 LTD Belt PARTS DIAGRAM

HEADLIGHT

F2710-0148



1983 LTD Belt PARTS LIST

HEADLIGHT

ITEM NAME	PART NUMBER	QUANTITY
BRACKET-A (Ref # 11036)	11036-1664	1
LAMP-HEAD (Ref # 23004)	23004-1084	1
BODY,HEAD LIGHT,BLACK (Ref # 23005)	23005-047-21	1
RIM HEAD LIGHT (Ref # 23006)	23006-044	1
LENS-COMP,HEAD LAMP (Ref # 23007)	23007-1046	1
BOLT,10MM (Ref # 92001)	92007-024	2
SCREW FORCUS ADJUST (Ref # 92009)	23019-021	1
SCREW-PAN HEAD,5X12 (Ref # 92009A)	23019-023	2
SCREW-PAN HEAD,5MM (Ref # 92009B)	92011-024	2
NUT,4MM (Ref # 92015)	23020-018	1
NUT 10MM (Ref # 92015A)	23020-021	2
NUT,HEAD LAMP RIM FIT (Ref # 92015B)	23020-023	2
WASHER (Ref # 92022)	23021-004	1
WASHER (Ref # 92022A)	23021-010	2
WASHER-PLAIN,5MM (Ref # 92022B)	23021-012	2
WASHER,PLAIN (Ref # 92022C)	92022-289	2
COLLAR,HEAD LAMP (Ref # 92027)	92027-1129	2
COLLAR,HEAD LIGHT (Ref # 92027A)	92027-231	2
DAMPER,LAMP BRACKET (Ref # 92075)	92075-1107	2
DAMPER RUBBER (Ref # 92075A)	92075-128	2
DAMPER,HEAD LAMP BODY (Ref # 92075B)	92075-1419	2
SPRING,FOCUS ADJUSTIN (Ref # 92081)	23014-011	1
WASHER SPRING 5MM (Ref # 461)	461F0500	2