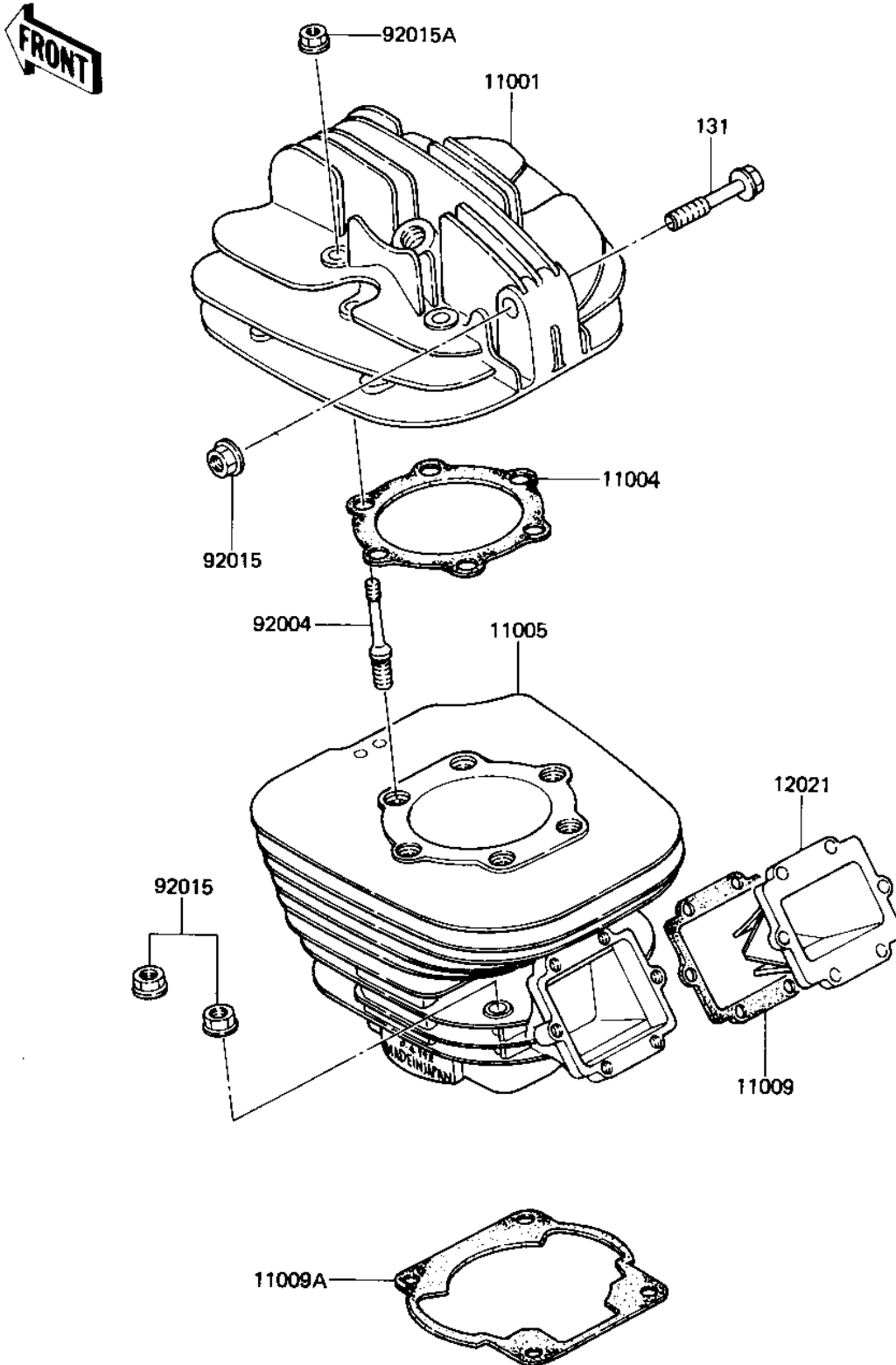


1983 KX500 PARTS DIAGRAM

CYLINDER HEAD/CYLINDER/REED VALVE ('83 A)

E1111-0097



1983 KX500 PARTS LIST

CYLINDER HEAD/CYLINDER/REED VALVE ('83 A)

ITEM NAME	PART NUMBER	QUANTITY
HEAD-CYLINDER (Ref # 11001)	11001-1095	1
GASKET-HEAD,CYLINDER (Ref # 11004)	11004-1053	1
CYLINDER-ENGINE,ELECT (Ref # 11005)	11005-1188	1
GASKET,REED VALVE (Ref # 11009)	11009-1941	1
GASKET,CYLINDER BASE (Ref # 11009A)	11009-1288	1
VALVE-ASSY-REED (Ref # 12021)	12021-1025	1
STUD,CYLINDER (Ref # 92004)	92004-1022	6
NUT,10MM (Ref # 92015)	92015-1415	5
NUT,8M/M (Ref # 92015A)	92015-1014	6
BOLT-FLANGED.10X55 (Ref # 131)	131P1055	1