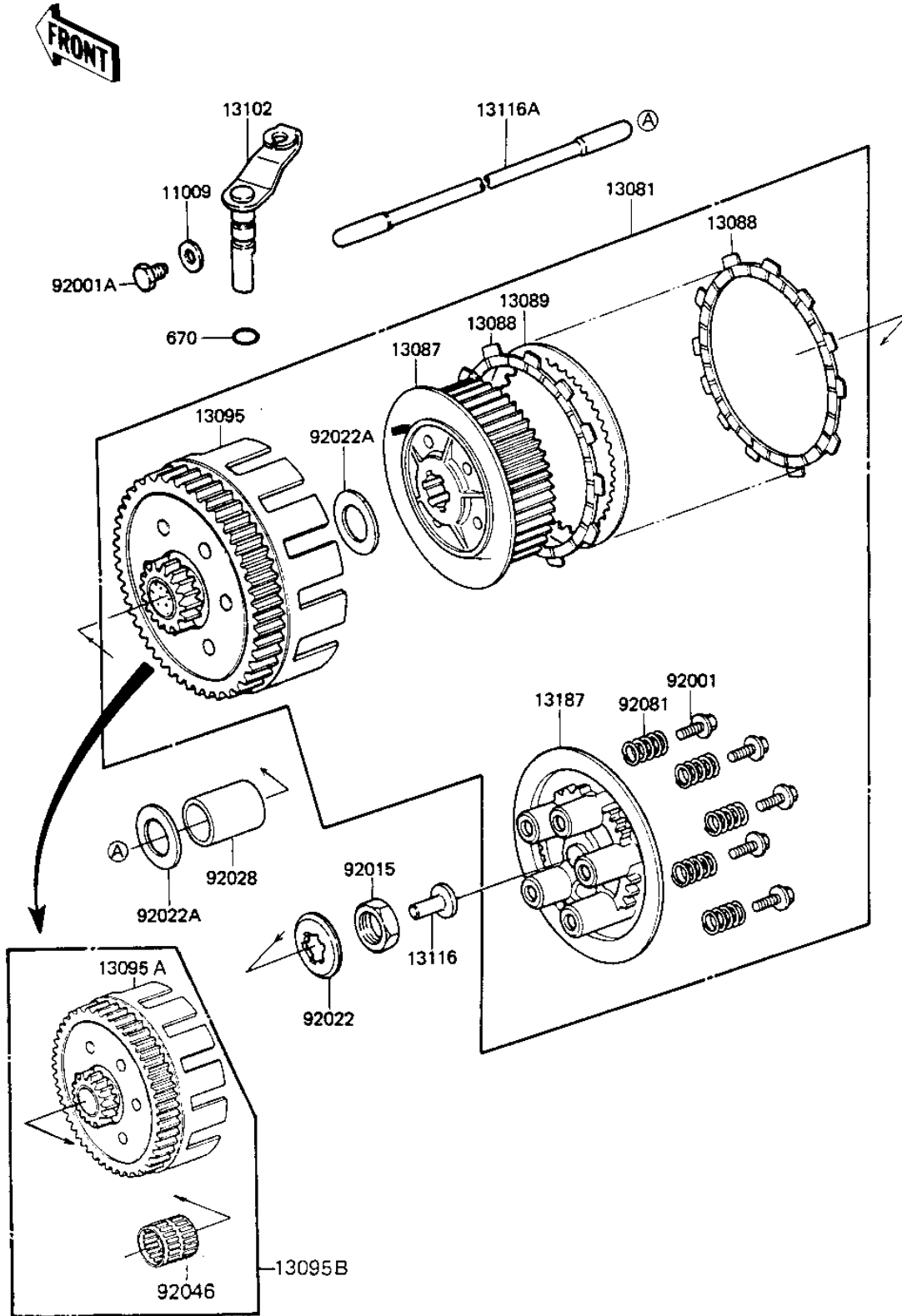


# 1983 KX500 PARTS DIAGRAM

CLUTCH (83 A1)

E1350-0058



# 1983 KX500 PARTS LIST

## CLUTCH ('83 A1)

ITEM NAME	PART NUMBER	QUANTITY
GASKET,R.H ENG COVER (Ref # 11009)	92065-092	1
CLUTCH-ASSY (Ref # 13081)	13081-1084	1
HUB,CLUTCH (Ref # 13087)	13087-044	1
PLATE,CLUTCH FRICTION (Ref # 13088)	13088-041	7
PLATE-CLUTCH (Ref # 13089)	13089-1010	6
HOUSING COMP-CLUTCH (Ref # 13095)	13095-5002	1
HOUSING-COMP-CLUTCH (Ref # 13095A)	13095-1103	AL
HOUSING COMP-CLUTCH (Ref # 13095B)	13095-5002	(1
RELEASE-COMP-CLUTCH (Ref # 13102)	13102-1015	1
ROD-PUSH,CLUTCH (Ref # 13116)	13116-1010	1
ROD-PUSH,CLUTCH.L=172 (Ref # 13116A)	13116-1042	1
PLATE-CLUTCH OPERATIN (Ref # 13187)	13187-1011	1
BOLT,CLUTCH SPR FITT (Ref # 92001)	92001-1066	5
BOLT,CLUTCH RELEASE (Ref # 92001A)	92003-130	1
NUT,20M/M (Ref # 92015)	92015-1058	1
WASHER,LOCK (Ref # 92022)	92022-1047	1
WASHER-CLUTCH THRUST (Ref # 92022A)	92022-168	2
BUSHING,CLUTCH (Ref # 92028)	92028-1076	1
BEARING-NEEDLE,WR25/2 (Ref # 92046)	92046-1049	(1
SPRING,CLUTCH (Ref # 92081)	92081-1176	5
"O" RING, 10MM (Ref # 670)	670B2010	1