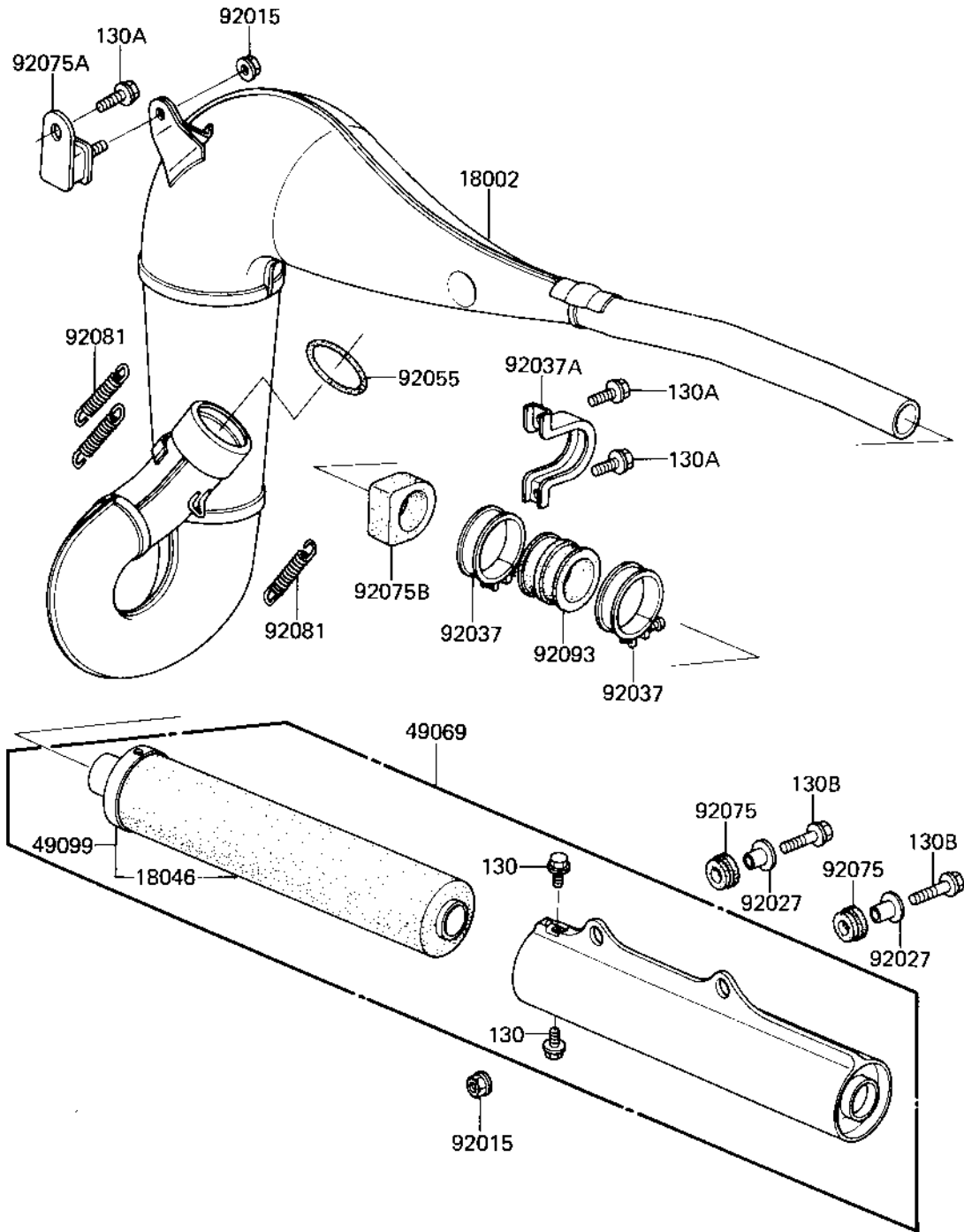


1983 KX500 PARTS DIAGRAM

MUFFLER ('83 A1)

E1140-0120



1983 KX500 PARTS LIST

MUFFLER ('83 A1)

| ITEM NAME | PART NUMBER | QUANTITY |
|-------------------------------------|-------------|----------|
| BODY-COMP-MUFFLER (Ref # 18002) | 18002-1281 | 1 |
| WOOL,MUFFLER BAFFLE P (Ref # 18046) | 18046-1017 | 1 |
| MUFFLER-ASSY (Ref # 49069) | 49069-1010 | 1 |
| BAFFLE-PIPE MUFFLER (Ref # 49099) | 49099-1114 | 1 |
| NUT-6MM (Ref # 92015) | 92015-1078 | 2 |
| COLLAR,SEAT (Ref # 92027) | 92027-1062 | 2 |
| CLAMP,CARBURETOR,40MM (Ref # 92037) | 92037-1129 | 2 |
| CLAMP,MUFFLER (Ref # 92037A) | 92037-1372 | 1 |
| "O" RING,55MM,MUFFLER (Ref # 92055) | 92055-1057 | 1 |
| DAMPER, HEAD LMP FITT (Ref # 92075) | 92075-1123 | 2 |
| DAMPER,MUFFLER (Ref # 92075A) | 92075-1891 | 1 |
| DAMPER,MUFFLER (Ref # 92075B) | 92075-1428 | 1 |
| SPRING-CONNECTOR (Ref # 92081) | 18071-003 | 3 |
| SEAL,MUFFLER (Ref # 92093) | 92093-1085 | 1 |
| BOLT-FLANGED (Ref # 130) | 130G0508 | 2 |
| BOLT,FLANGED,6X12 (Ref # 130A) | 130G0612 | 3 |
| BOLT,FLANGED,6X25 (Ref # 130B) | 130G0625 | 2 |