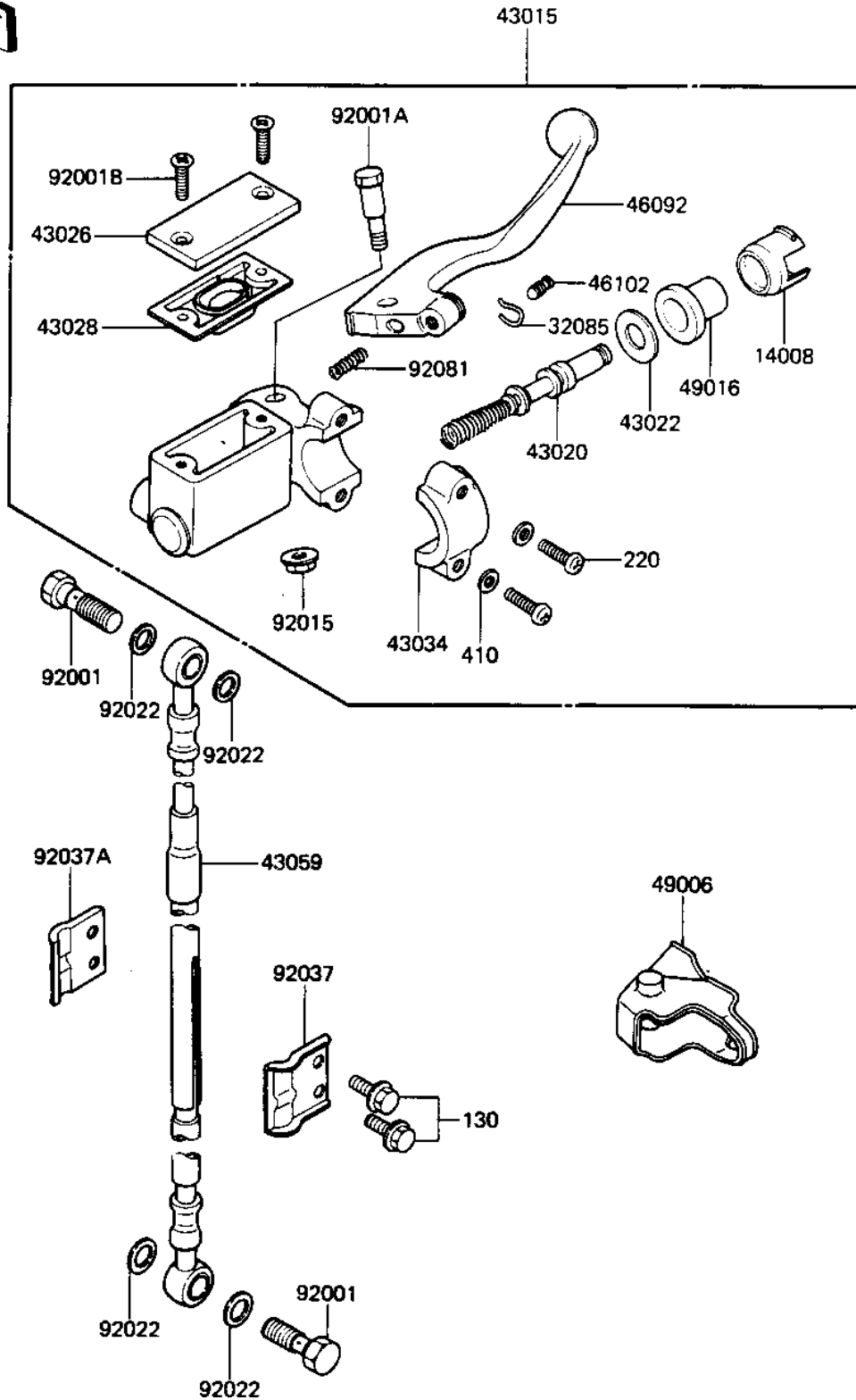


1983 KX500 PARTS DIAGRAM

FRONT MASTER CYLINDER ('83 A1)

F2291-0090



1983 KX500 PARTS LIST

FRONT MASTER CYLINDER ('83 A1)

| ITEM NAME | PART NUMBER | QUANTITY |
|--------------------------------------|-------------|----------|
| LINER (Ref # 14008) | 14008-1030 | 1 |
| STOPPER,BRAKE LEVER R (Ref # 32085) | 32085-1087 | 1 |
| CYLINDER-ASSY-MASTER (Ref # 43015) | 43015-1281 | 1 |
| PISTON-COMP-BRAKE (Ref # 43020) | 43020-1021 | 1 |
| STOPPER-BRAKE (Ref # 43022) | 43022-1008 | 1 |
| CAP-BRAKE (Ref # 43026) | 43026-1019 | 1 |
| DIAPHRAGM (Ref # 43028) | 43028-1030 | 1 |
| HOLDER-BRAKE (Ref # 43034) | 43034-1012 | 1 |
| HOSE-BRAKE (Ref # 43059) | 43059-1155 | 1 |
| LEVER-GRIP,BRAKE (Ref # 46092) | 46092-1108 | 1 |
| ROD,BRAKE LEVER ADJUS (Ref # 46102) | 46102-1042 | 1 |
| BOOT,BRAKE LEVER (Ref # 49006) | 49006-1090 | 1 |
| COVER-SEAL (Ref # 49016) | 49016-1035 | 1 |
| BOLT,OIL,L=23 (Ref # 92001) | 92002-1888 | 2 |
| BOLT,6X37.3,BLACK (Ref # 92001A) | 92001-1512 | 1 |
| SCREW-COUNTERSUNK (Ref # 92001B) | 92001-1532 | 2 |
| NUT,LOCK,6MM,BLACK (Ref # 92015) | 92015-1191 | 1 |
| WASHER-OIL BOLT (Ref # 92022) | 43067-001 | 4 |
| CLAMP,BRAKE HOSE,OUTS (Ref # 92037) | 92037-1362 | 1 |
| CLAMP,BRAKE HOSE,INSI (Ref # 92037A) | 92037-1363 | 1 |
| SPRING,BRAKE LEVER (Ref # 92081) | 92081-1428 | 1 |
| BOLT,FLANGED,6X14 (Ref # 130) | 130G0614 | 2 |
| SCREW PAN HEAD 6X25 (Ref # 220) | 220B0625 | 2 |
| WASHER PLAIN 6MM (Ref # 410) | 410B0600 | 2 |