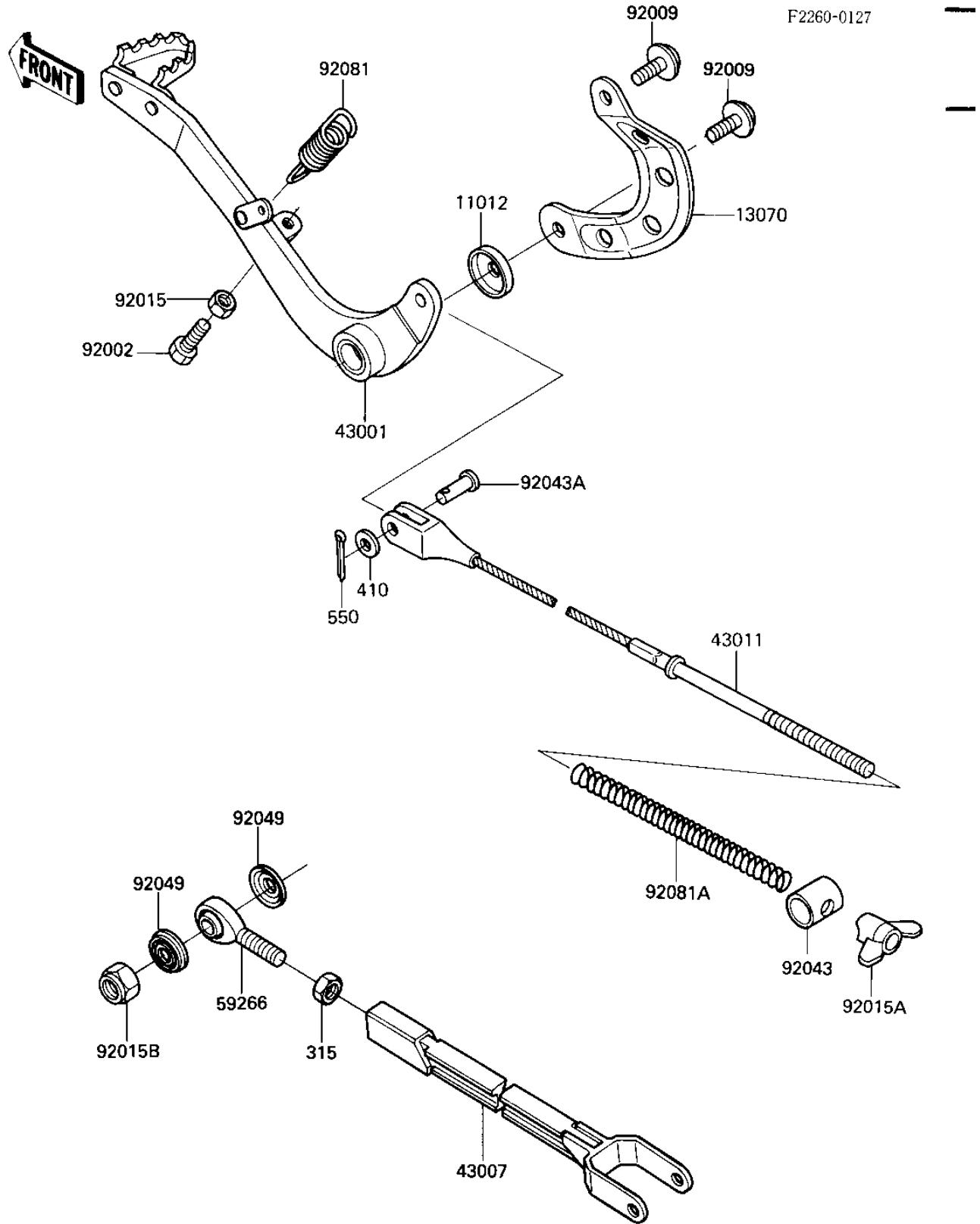


1984 KX500 PARTS DIAGRAM

BRAKE PEDAL/TORQUE LINK ('84 A2)



1984 KX500 PARTS LIST

BRAKE PEDAL/TORQUE LINK ('84 A2)

ITEM NAME	PART NUMBER	QUANTITY
CAP (Ref # 11012)	11012-1204	1
GUIDE,BRAKE ROD (Ref # 13070)	13070-1072	1
LEVER-BRAKE,PEDAL (Ref # 43001)	43001-1159	1
ROD-TORQUE (Ref # 43007)	43007-1101	1
ROD-BRAKE (Ref # 43011)	43011-1107	1
JOINT,BALL (Ref # 59266)	59266-1005	1
BOLT,6X20 (Ref # 92002)	92002-1373	1
SCREW,6X10 (Ref # 92009)	92009-1286	2
NUT,6MM (Ref # 92015)	92015-1391	1
NUT,WING,6M/M (Ref # 92015A)	92015-4004	1
NUT,LOCK,10MM (Ref # 92015B)	92019-021	1
PIN,BRAKE (Ref # 92043)	92043-1024	1
PIN RR BRAKE CABLE (Ref # 92043A)	92043-107	1
OIL SEAL,BALL JOINT (Ref # 92049)	92049-1072	2
SPRING RETURN (Ref # 92081)	92081-1059	1
SPRING,BAAKE ROD (Ref # 92081A)	92081-1688	1
NUT 10MM (Ref # 315)	315B1000	1
WASHER PLAIN 6MM (Ref # 410)	410B0600	1
PIN COTTER 2.0X15 (Ref # 550)	550D2015	1