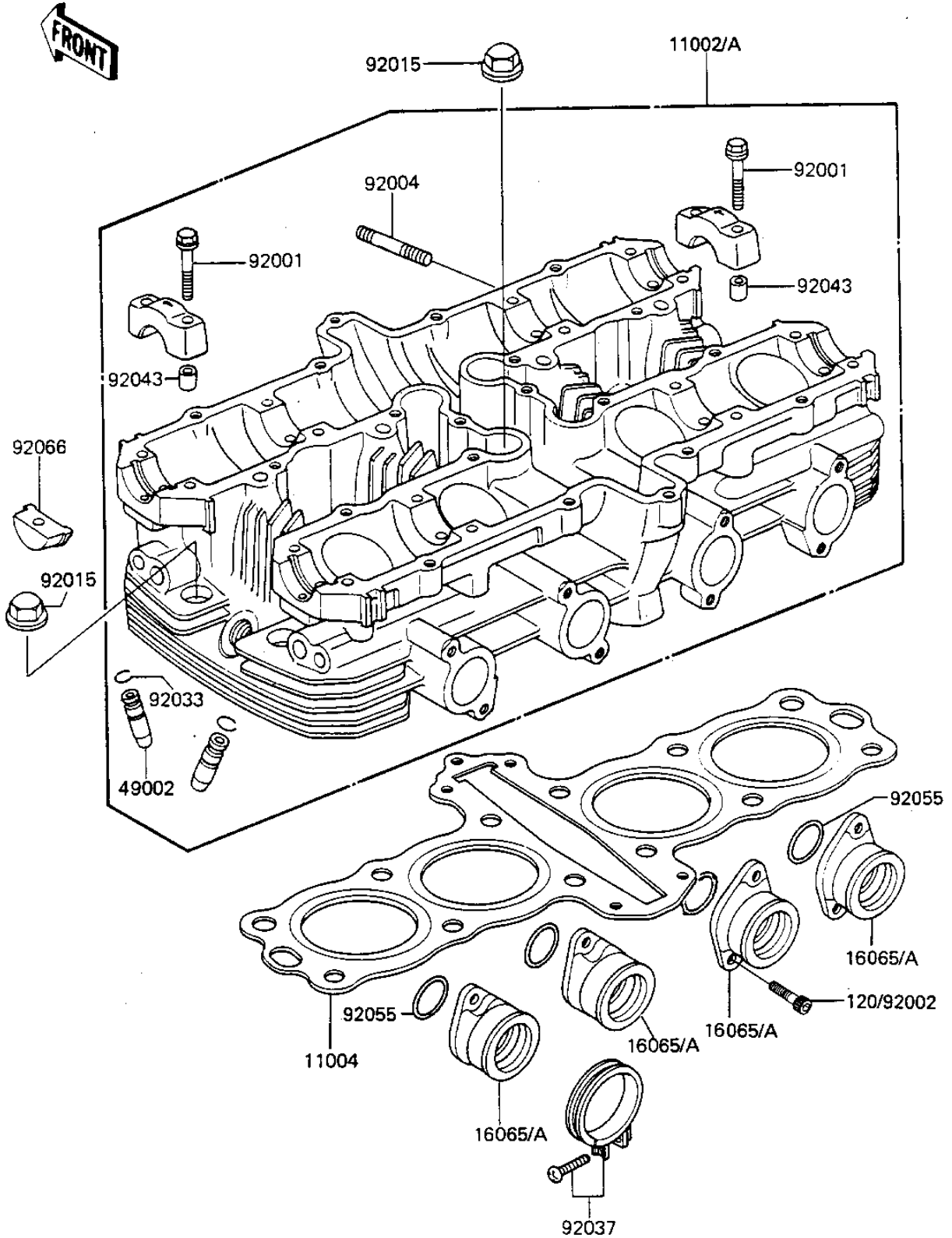


# 1984 LTD Shaft PARTS DIAGRAM

CYLINDER HEAD

E1111-0146



# 1984 LTD Shaft PARTS LIST

## CYLINDER HEAD

| ITEM NAME                           | PART NUMBER | QUANTITY |
|-------------------------------------|-------------|----------|
| HEAD-ASSY-CYLINDER (Ref # 11002A)   | 11002-1162  | 1        |
| GASKET-HEAD (Ref # 11004)           | 11004-1212  | 1        |
| HOLDER-CARBURETOR (Ref # 16065A)    | 16065-1110  | 4        |
| GUIDE,VALVE (Ref # 49002)           | 49002-1005  | 8        |
| BOLT,FLANGED,6X38 (Ref # 92001)     | 92001-1105  | 16       |
| BOLT,6X16 (Ref # 92002)             | 92002-1143  | 8        |
| STUD,6X27 (Ref # 92004)             | 92004-066   | 8        |
| NUT,CAP,8MM (Ref # 92015)           | 92015-1151  | 12       |
| CIRCLIP-VALVE (Ref # 92033)         | 92036-023   | 8        |
| CLAMP (Ref # 92037)                 | 92037-1326  | 4        |
| PIN-DOWEL (Ref # 92043)             | 92042-007   | 16       |
| RING-O,CARBURETOR HOL (Ref # 92055) | 92055-1233  | 4        |
| PLUG,CAMSHAFT,11.35X1 (Ref # 92066) | 92066-1111  | 4        |