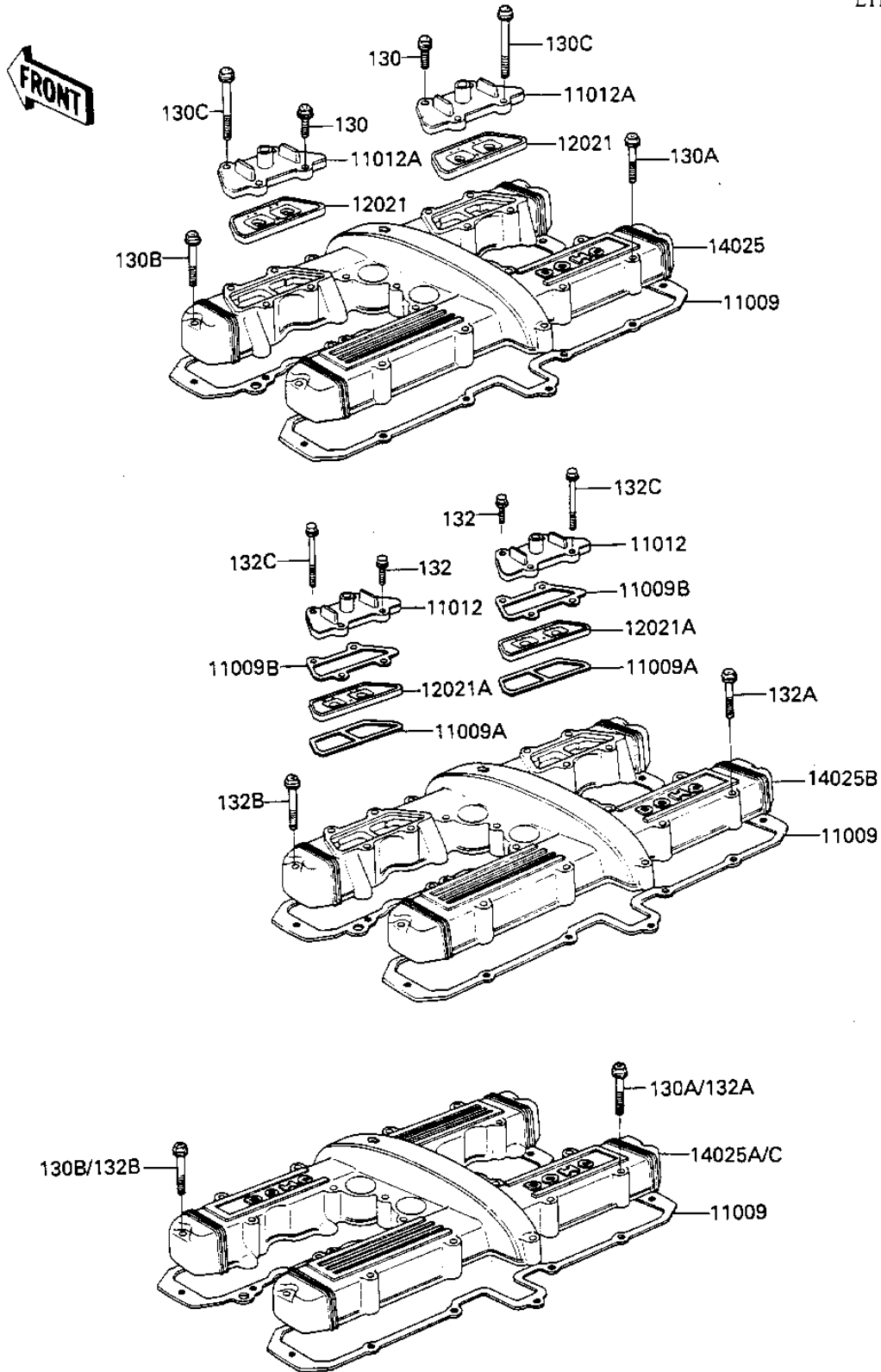


1984 LTD Shaft PARTS DIAGRAM

CYLINDER HEAD COVER

E1112-0068



1984 LTD Shaft PARTS LIST

CYLINDER HEAD COVER

ITEM NAME	PART NUMBER	QUANTITY
GASKET,CYLINDER HEAD (Ref # 11009)	11009-1280	1
GASKET,REED VALVE,LWR (Ref # 11009A)	11009-1382	2
GASKET,REED VALVE,UPP (Ref # 11009B)	11060-1064	2
CAP,REED VALVE,SILVER (Ref # 11012)	11012-1193	2
VALVE-ASSY-REED (Ref # 12021A)	12021-1008	2
COVER,CYLINDER HEAD,S (Ref # 14025B)	14025-1569	1
COVER,CYLINDER HEAD,SILVE (Can (Ref # 14025C)	14025-1575	1
BOLT,FLANGED,6X35 (Ref # 130A)	130H0635	20
BOLT-FLANGED-SMALL (Ref # 132)	132E0620	4
BOLT-FLANGED-SMALL (Ref # 132A)	132E0635	20
BOLT-FLANGED-SMALL (Ref # 132B)	132E0645	4
BOLT-FLANGED-SMALL (Ref # 132C)	132E0665	4