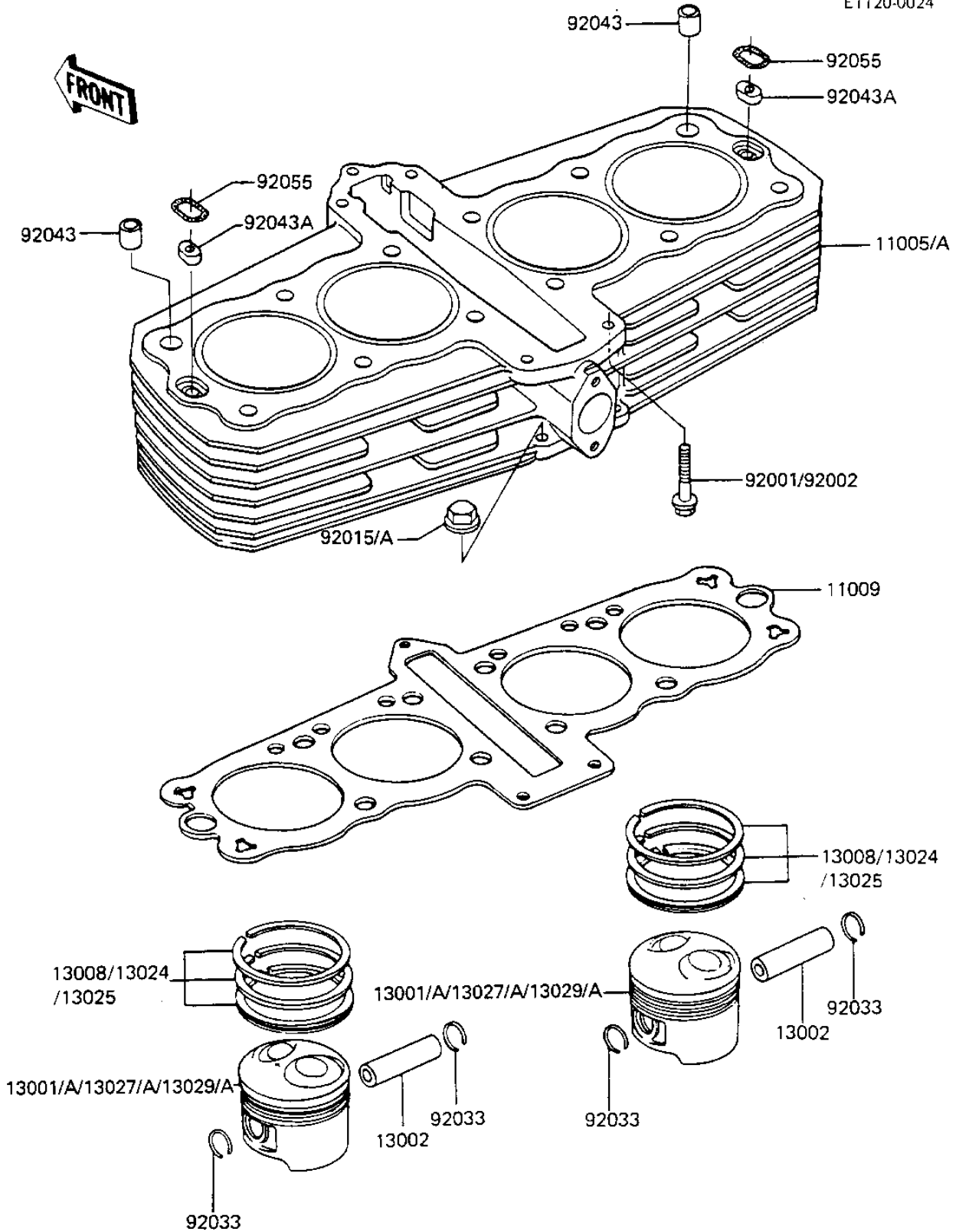


1984 LTD Shaft PARTS DIAGRAM

CYLINDER/PISTONS

E1120-0024



1984 LTD Shaft PARTS LIST

CYLINDER/PISTONS

ITEM NAME	PART NUMBER	QUANTITY
CYLINDER-ENGINE SILV (Ref # 11005A)	11005-1311	1
GASKET,CYLINDER BASE (Ref # 11009)	11009-1932	1
PISTON-ENGINE,STD (Ref # 13001A)	13001-1121	4
PIN-PISTON (Ref # 13002)	13002-1012	4
RING-SET-PISTON,STD (Ref # 13008)	13008-1009	4
RING-SET-PISTON-LL (Ref # 13024)	13024-1010	4
RING-SET-PISTON-L (Ref # 13025)	13025-1010	4
PISTON-ENGINE-LL (Ref # 13027A)	13027-1053	4
PISTON-ENGINE-L (Ref # 13029A)	13029-1055	4
BOLT,6X28 (Ref # 92002)	92002-1105	5
NUT,CAP,6MM (Ref # 92015A)	92015-1385	3
PIN,DOWEL,12MM (Ref # 92033)	92042-031	2
PIN,OIL LINE (Ref # 92043A)	92043-1210	2
RING-O (Ref # 92055)	92055-1147	2