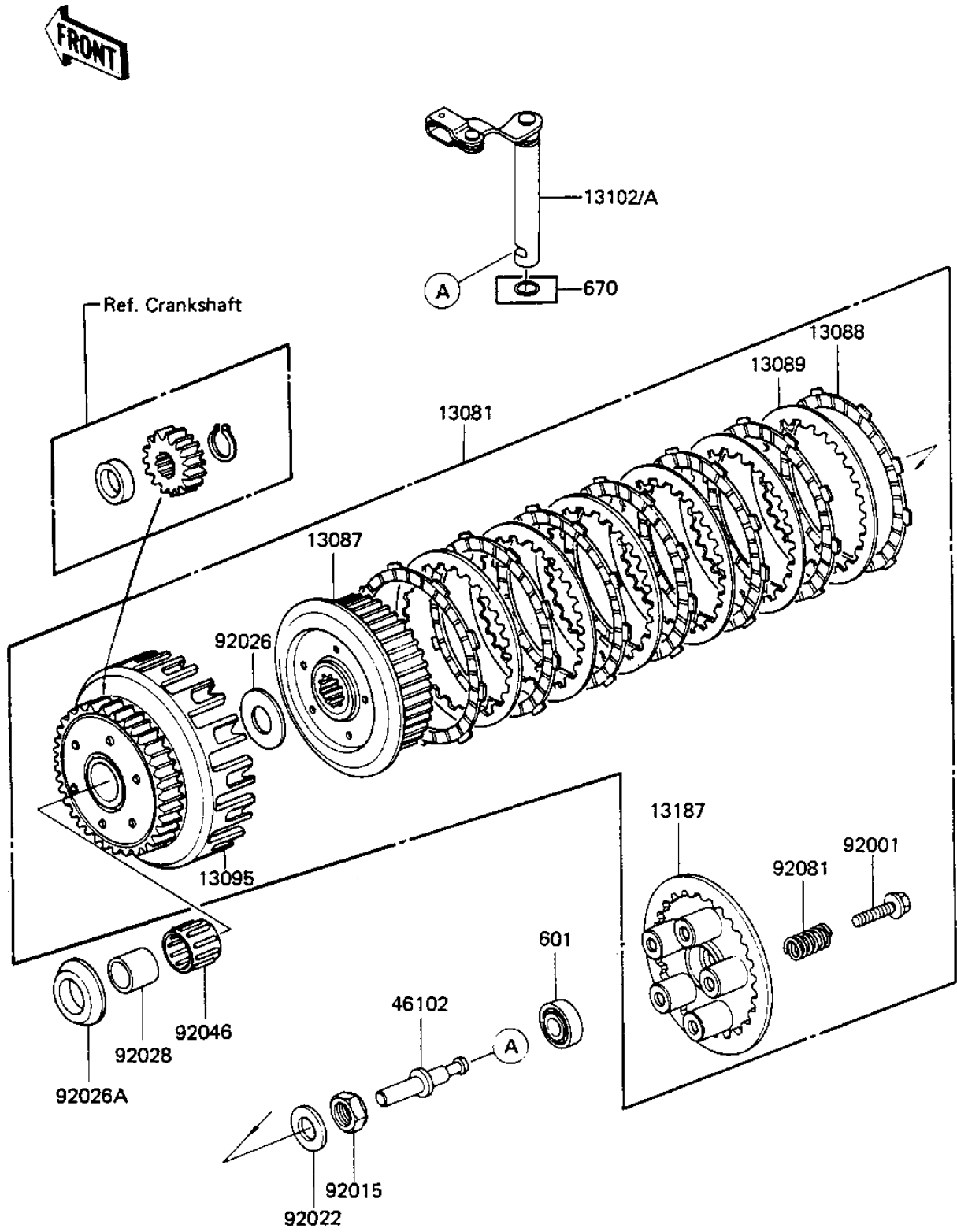


1984 LTD Shaft PARTS DIAGRAM

CLUTCH

E1350-0060



1984 LTD Shaft PARTS LIST

CLUTCH

ITEM NAME	PART NUMBER	QUANTITY
CLUTCH-ASSY (Ref # 13081)	13081-1086	1
HUB-CLUTCH (Ref # 13087)	13087-1052	1
PLATE,CLUTCH FRICTION (Ref # 13088)	13088-040	7
PLATE,CLUTCH STEEL (Ref # 13089)	13089-026	6
HOUSING,CLUTCH,65T (Ref # 13095)	13095-1030	1
RELEASE-COMP-CLUTCH (Ref # 13102A)	13102-1053	1
PLATE-CLUTCH OPERATIN (Ref # 13187)	13187-1012	1
ROD (Ref # 46102)	46102-1030	1
BOLT,CLUTCH SPR FITT (Ref # 92001)	92001-1066	5
NUT,20MM (Ref # 92015)	92015-1555	1
WASHER,PLAIN,2.3X20.3 (Ref # 92022)	92022-1116	1
WASHER TH 25.5X47X2.5 (Ref # 92026)	92026-022	1
SPACER,THRUST,T=5.5MM (Ref # 92026A)	92026-116	1
BUSHING,CLUTCH (Ref # 92028)	92028-178	1
BEARING,KTV323723 (Ref # 92046)	92046-028	1
SPRING,CLUTCH (Ref # 92081)	92081-139	5
BEARING-BALL (Ref # 601)	92045-1235	1