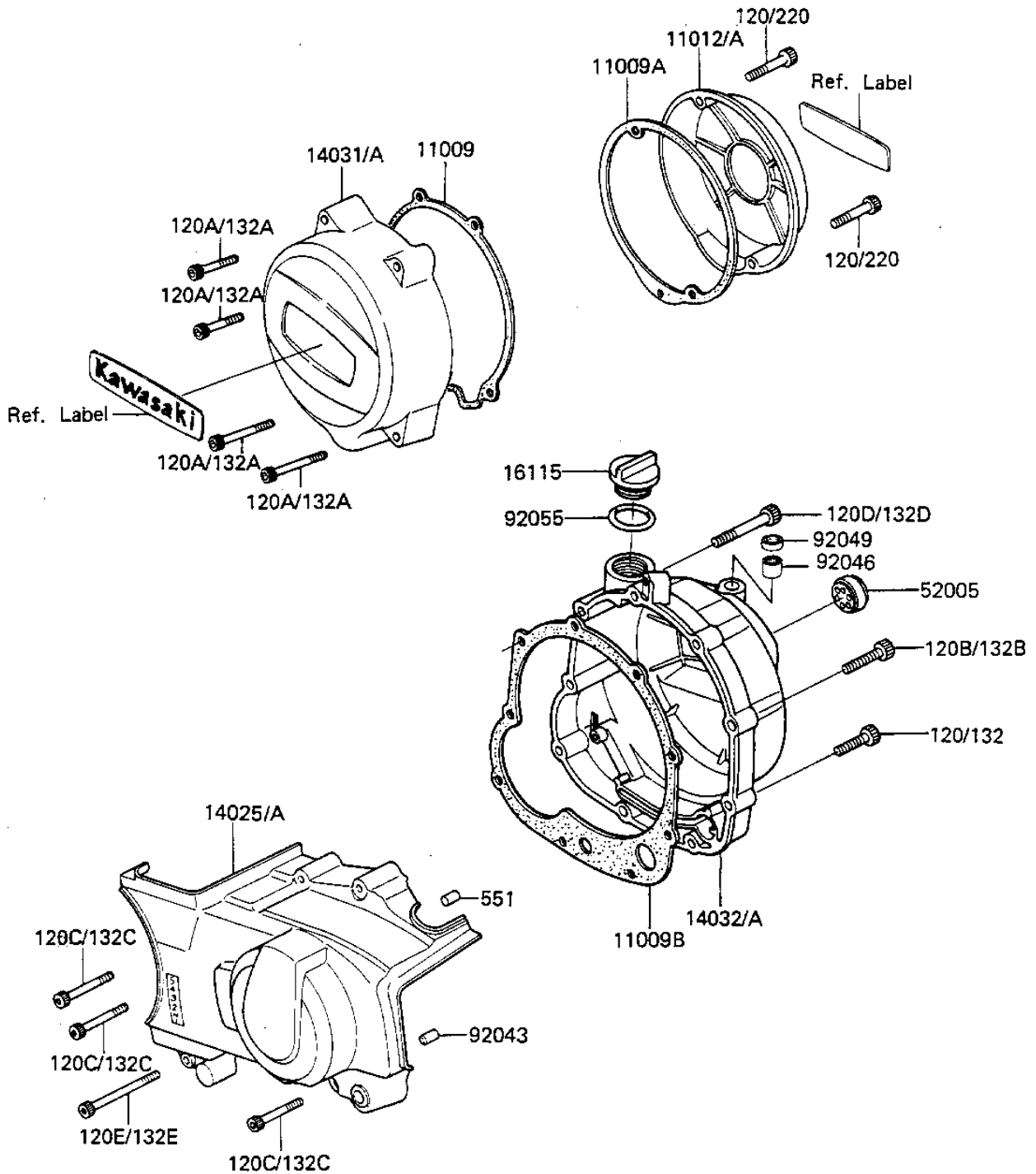


1984 LTD Shaft PARTS DIAGRAM

ENGINE COVERS

E1431-0143



1984 LTD Shaft PARTS LIST

ENGINE COVERS

ITEM NAME	PART NUMBER	QUANTITY
GASKET,GENERATOR COVE (Ref # 11009)	11060-1055	1
GASKET,PULSING COIL C (Ref # 11009A)	11060-1053	1
GASKET,CLUTCH COVER (Ref # 11009B)	11060-1054	1
CAP,PULSING COIL (Ref # 11012A)	11012-1377	1
COVER,GEAR CASE,BUFF (Ref # 14025A)	14025-1572	1
COVER-GENERATOR (Ref # 14031A)	14031-1161	1
COVER-CLUTCH (Ref # 14032A)	14032-1153	1
CAP-OIL FILLER (Ref # 16115)	16115-1009	1
GAUGE,OIL LEVEL (Ref # 52005)	52005-1009	1
PIN-DOWEL (Ref # 92043)	92042-007	1
BEARING,NEEDLE,HK1210 (Ref # 92046)	92046-1010	1
SEAL-OIL (Ref # 92049)	92049-1271	1
"O" RING,31MM (Ref # 92055)	92055-049	1
BOLT-FLANGED-SMALL (Ref # 132)	132E0630	4
BOLT-FLANGED-SMALL (Ref # 132A)	132E0640	4
BOLT-FLANGED-SMALL (Ref # 132B)	132E0645	3
BOLT-FLANGED-SMALL (Ref # 132C)	132E0650	3
BOLT-FLANGED-SMALL (Ref # 132D)	132E0660	2
BOLT-FLANGED-SMALL (Ref # 132E)	132E0680	1
SCREW PAN HEAD 6X30 (Ref # 220)	220E0630	2
PIN DOWEL 8X14 (Ref # 551)	551A0814	1