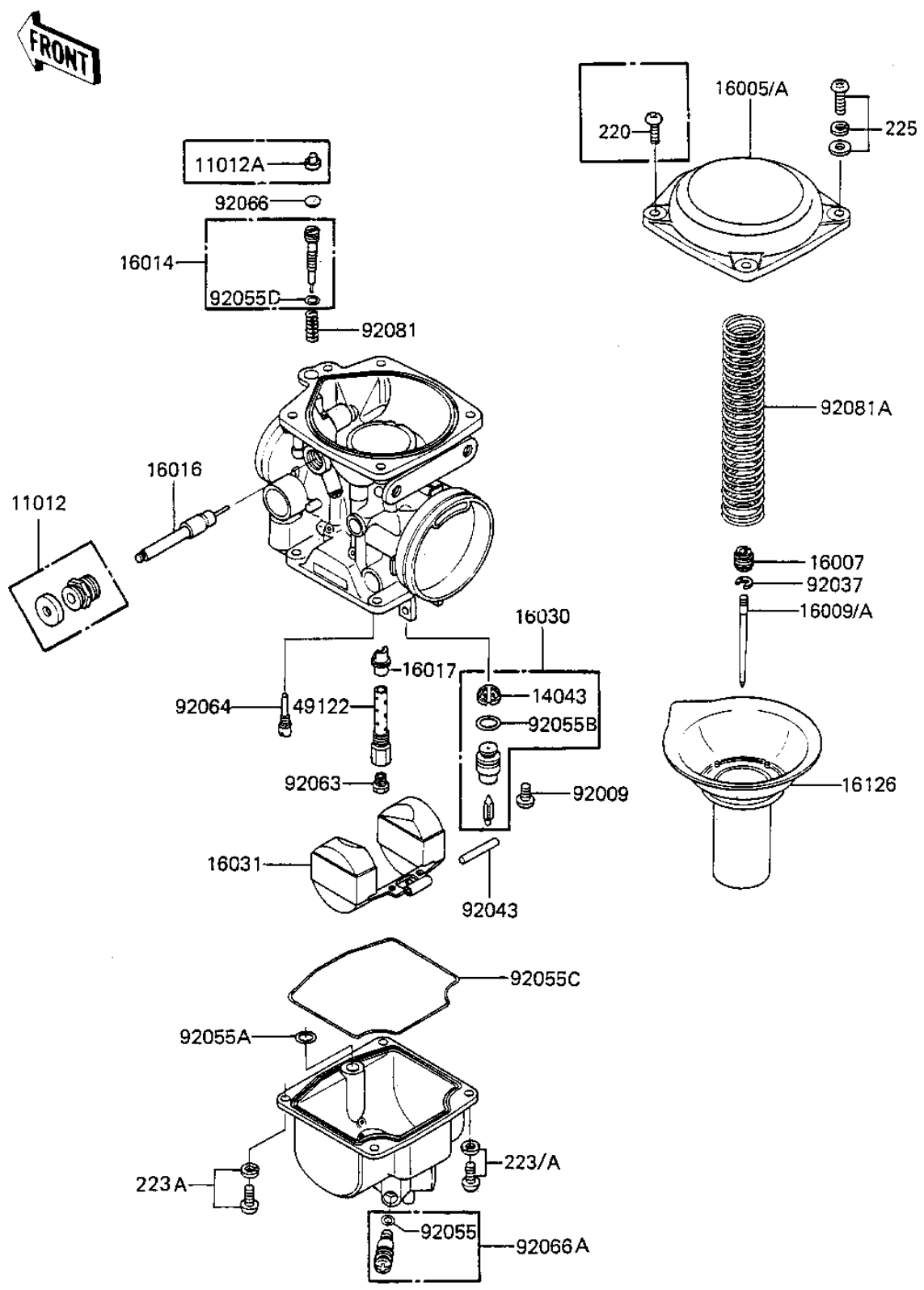


# 1984 LTD Shaft PARTS DIAGRAM

## CARBURETOR PARTS

E1612-0061



# 1984 LTD Shaft PARTS LIST

## CARBURETOR PARTS

ITEM NAME	PART NUMBER	QUANTITY
CAP (Ref # 11012)	11012-1243	4
CAP (Canada) (Ref # 11012A)	11012-1265	4
FILTER,FLOAT VALVE (Ref # 14043)	14043-1011	4
TOP-CHAMBER,CR PLATED (Ref # 16005A)	16005-1021	4
SEAT-SPRING (Ref # 16007)	16007-1051	4
NEEDLE-JET,#4A02 (Ref # 16009)	16009-1129	4
NEEDLE-JET,#4A00 (Canada) (Ref # 16009A)	16009-1130	4
SCREW-PILOT AIR (Ref # 16014)	16014-1032	4
PLUNGER (Ref # 16016)	16016-1023	4
JET-NEEDLE (Ref # 16017)	16017-1116	4
VALVE-FLOAT (Ref # 16030)	16030-1024	4
FLOAT (Ref # 16031)	16031-1018	4
VALVE (Ref # 16126)	16126-1047	4
PIPE-BLEEDER (Ref # 49122)	49122-1012	4
SCREW,FLOAT VALVE (Ref # 92009)	92009-1168	4
CLAMP (Ref # 92037)	92037-1303	4
PIN (Ref # 92043)	92043-1112	4
"O" RING,OVERFLOW (Ref # 92055)	92055-1071	4
RING-O (Ref # 92055A)	92055-1126	4
RING-O (Ref # 92055B)	92055-1127	4
RING-O,FLOAT CHAMBER (Ref # 92055C)	92055-1128	4
RING-O (Ref # 92055D)	92055-1134	4
JET-MAIN,#120 (Ref # 92063)	92063-1134	1
JET-MAIN,#120 (Ref # 92063)	92063-1134	4
JET-PILOT (Ref # 92064)	92064-1055	4
USPLUG,PILOT SCREW (Ref # 92066)	92066-1051	4
SCREW,DRAIN (Ref # 92066A)	92066-1065	4
SPRING (Ref # 92081)	92081-1441	4
SPRING (Ref # 92081A)	92081-1461	4

# 1984 LTD Shaft PARTS LIST

## CARBURETOR PARTS

ITEM NAME	PART NUMBER	QUANTITY
SCREW PAN HEAD 4X8 (Ref # 220)	220B0408	14
SCREW-PAN HEAD,4X12MM (Ref # 223)	223B0412	16