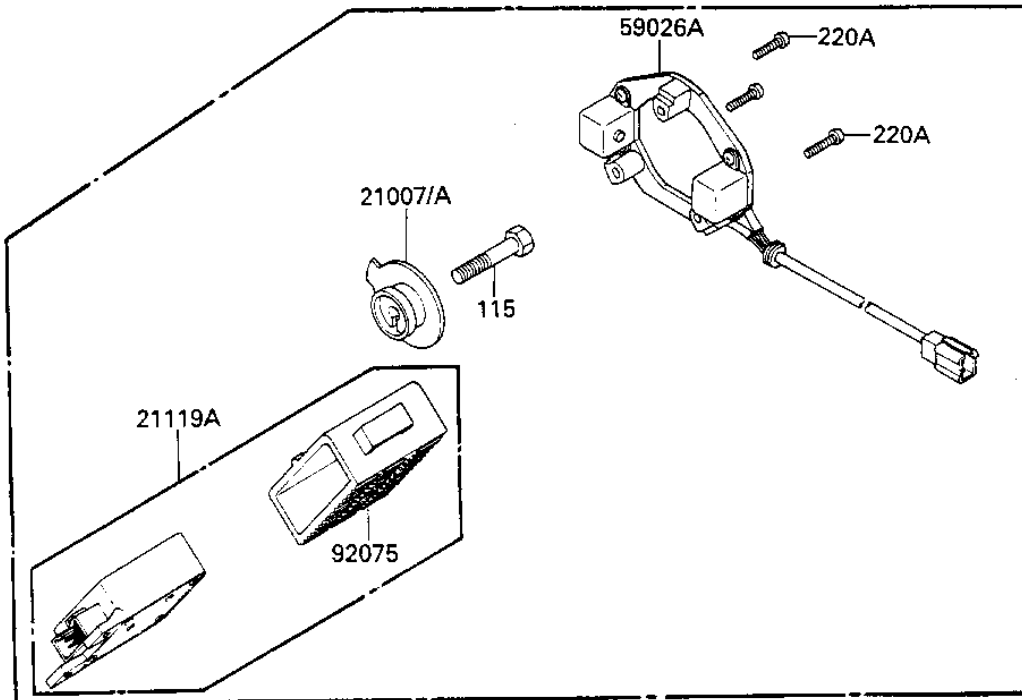
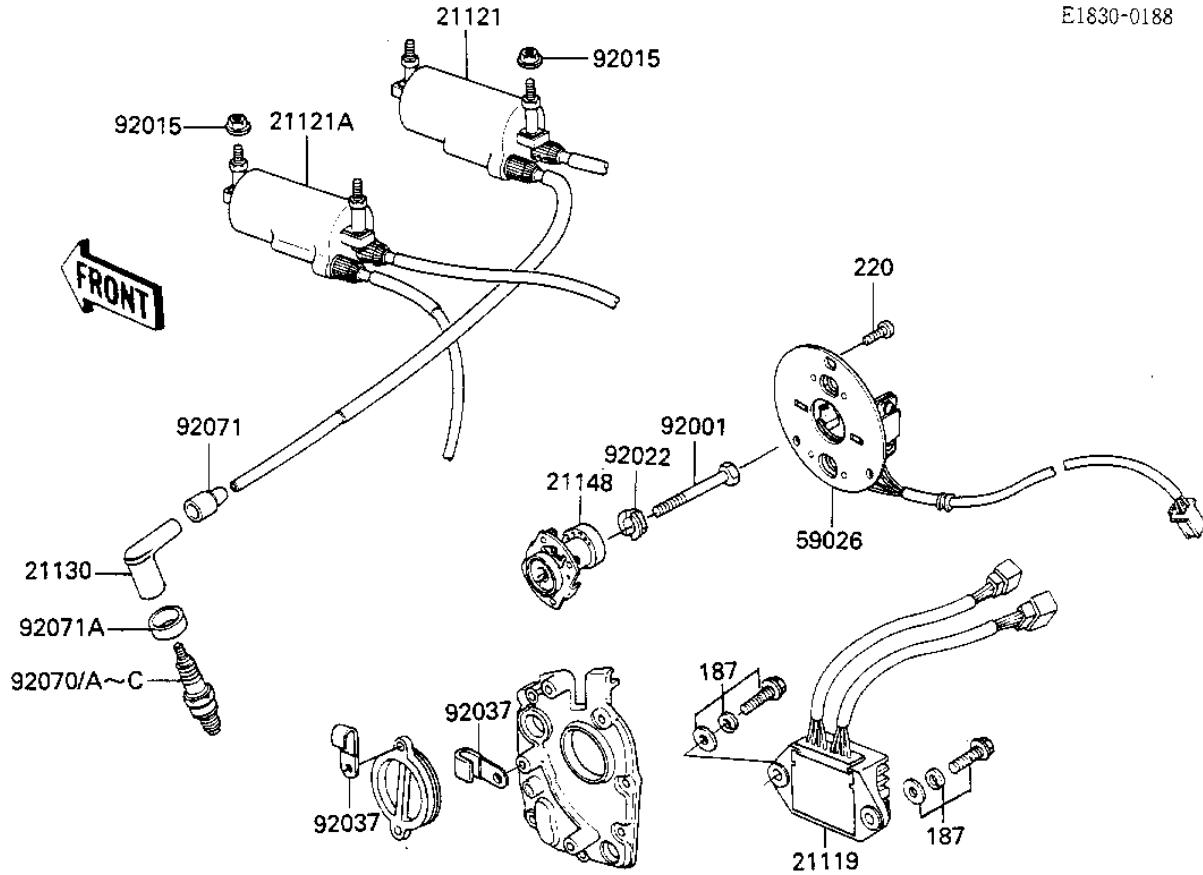


1983 Spectre PARTS DIAGRAM

IGNITION

E1830-0188



1983 Spectre PARTS LIST

IGNITION

ITEM NAME	PART NUMBER	QUANTITY
IGNITER (Ref # 21119)	21119-1040	1
COIL,IGNITION #1/4 (Ref # 21121)	21121-1035	1
COIL,IGNITION,#2/3 (Ref # 21121A)	21121-1036	1
CAP,SPARK PLUG"LD05F" (Ref # 21130)	21130-1003	4
ADVANCER, (Ref # 21148)	21148-1016	1
COIL,PULSING (Ref # 59026)	59026-1009	1
BOLT-8X63 (Ref # 92001)	92001-1397	1
NUT-6MM (Ref # 92015)	92015-1078	4
WASHER,SPARK ADVANCER (Ref # 92022)	92022-244	1
CLAMP,WIRING HARNESS (Ref # 92037)	21126-008	2
SPARK PLUG D8EA (Ref # 92070A)	D8EA	4
SPARK PLUG DR8ES (Canada) (Ref # 92070B)	92070-1019	4
GROMMET,SPARK PLG CAP (Ref # 92071)	21132-005	4
GROMMET,SPARK PLUG (Ref # 92071A)	92071-1015	4
BOLT-UPSET-WSP (Ref # 187)	187B0618	2
SCREW PAN HEAD 5X12 (Ref # 220)	220B0512	3