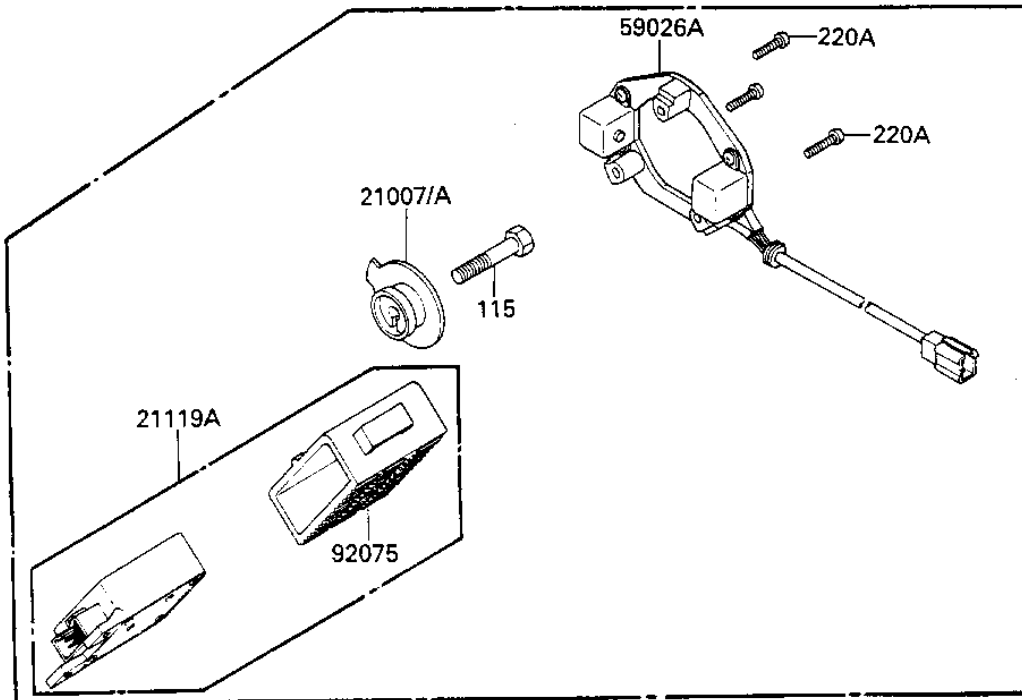
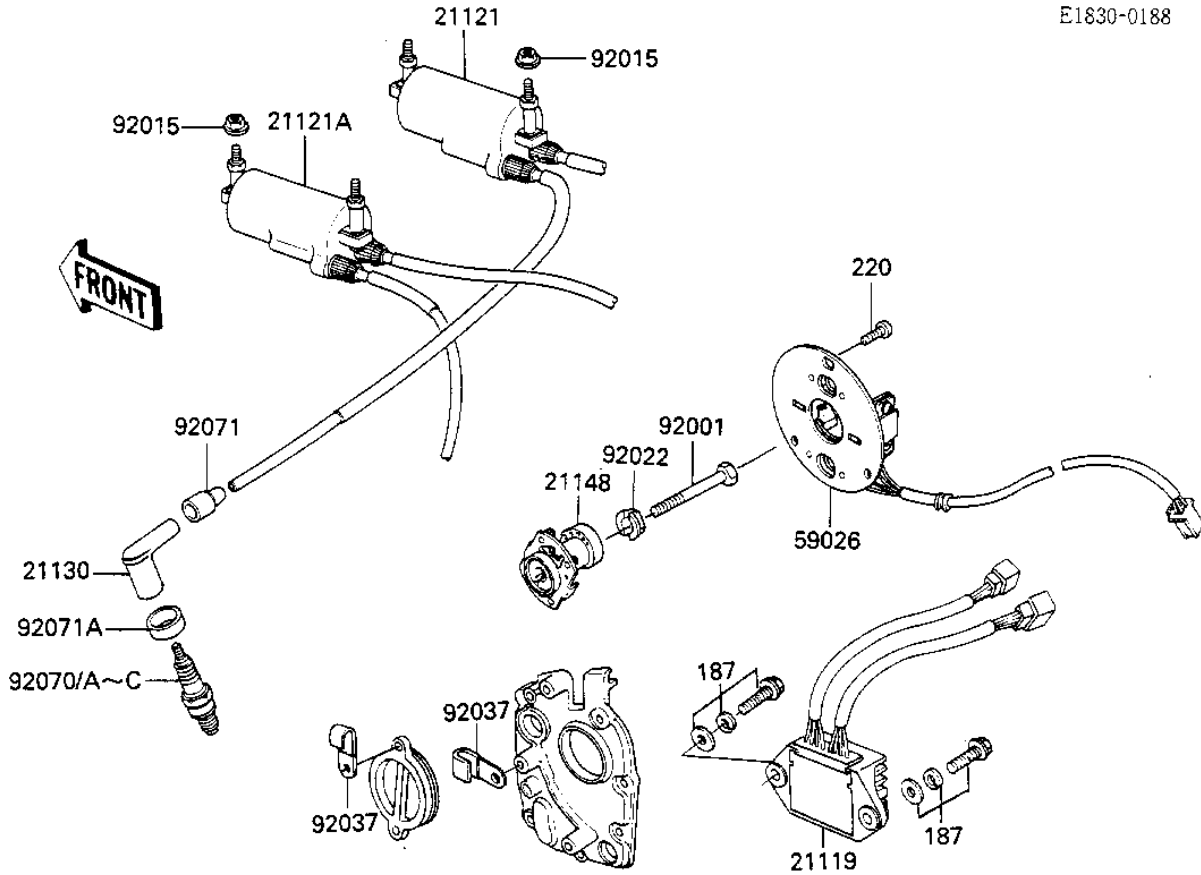


1984 LTD Shaft PARTS DIAGRAM

IGNITION

E1830-0188



1984 LTD Shaft PARTS LIST

IGNITION

ITEM NAME	PART NUMBER	QUANTITY
ROTOR,PULSING COIL (Ref # 21007)	21007-1104	1
ROTOR,PULSING COIL (Ref # 21007A)	21007-1120	1
IGNITER (Ref # 21119A)	21119-1129	1
COIL,IGNITION #1/4 (Ref # 21121)	21121-1035	1
COIL,IGNITION,#2/3 (Ref # 21121A)	21121-1036	1
CAP,SPARK PLUG"LD05F" (Ref # 21130)	21130-1003	4
COIL-PULSING (Ref # 59026A)	59026-1026	1
NUT-6MM (Ref # 92015)	92015-1078	4
CLAMP,WIRING HARNESS (Ref # 92037)	21126-008	2
SPARK PLUG D8EA (Ref # 92070A)	D8EA	4
SPARK PLUG DR8ES (Canada) (Ref # 92070B)	92070-1019	4
GROMMET,SPARK PLG CAP (Ref # 92071)	21132-005	4
GROMMET,SPARK PLUG (Ref # 92071A)	92071-1015	4
DAMPER,IGNITER (Ref # 92075)	92075-1504	1
BOLT-SMALL-UPSET (Ref # 115)	115G0845	1
BOLT-UPSET-WSP (Ref # 187)	187B0618	2
SCREW-PAN-CROS,5X25 (Ref # 220A)	220B0525	3