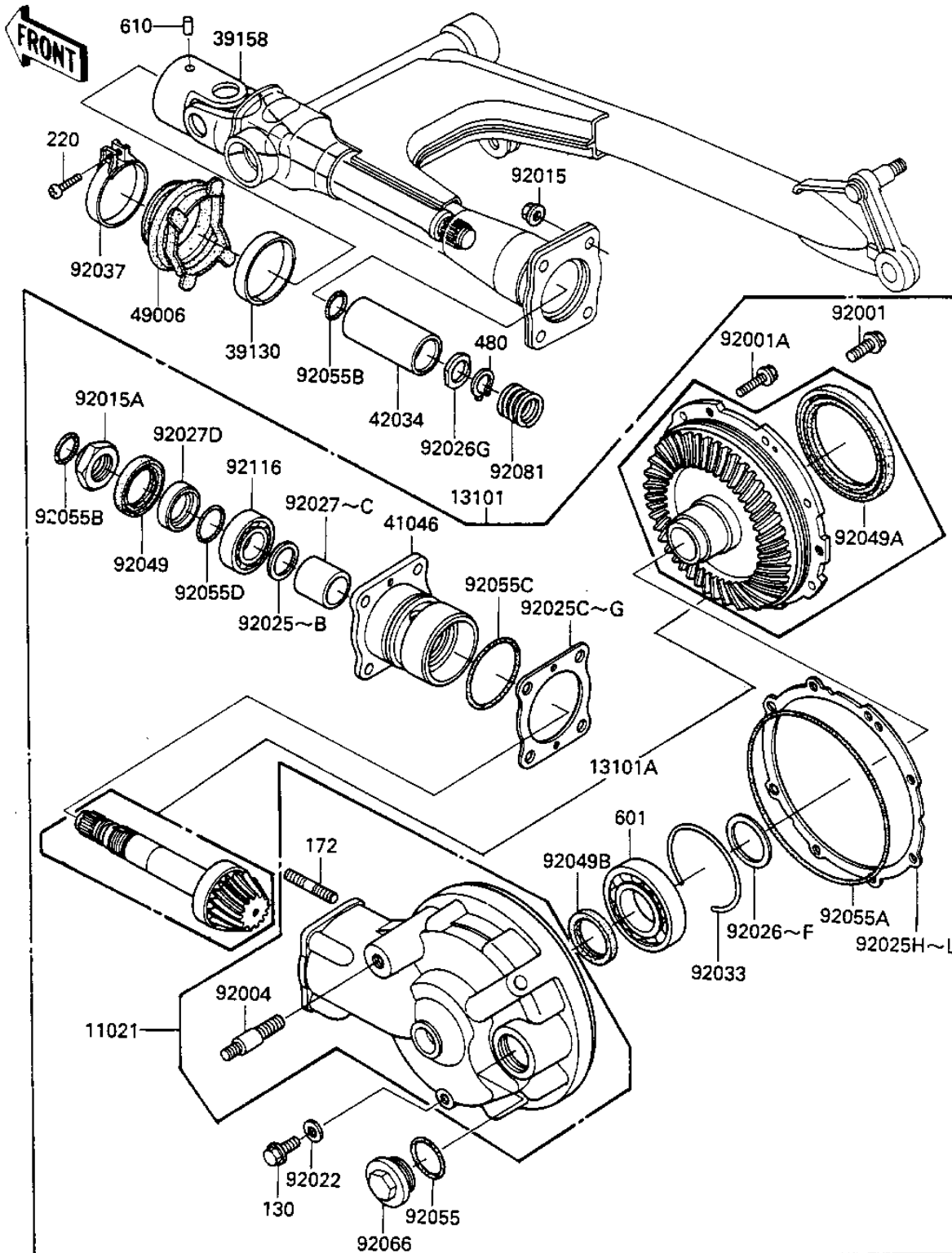


1984 LTD Shaft PARTS DIAGRAM

DRIVE SHAFT/FINAL GEARS (KZ550-F2)

E3132A-0008



1984 LTD Shaft PARTS LIST

DRIVE SHAFT/FINAL GEARS (KZ550-F2)

ITEM NAME	PART NUMBER	QUANTITY
CASE-ASSY (Ref # 11021)	11021-1018-F2	1
GEAR-ASSY,FINAL,HS SI (Ref # 13101)	13101-1031-B9	1
GEAR-ASSY,FINAL BEVEL (Ref # 13101A)	13101-5038	1
SPRING,LEAF (Ref # 39130)	39130-1002	1
SHAFT-ASSY-DRIVE (Ref # 39158)	39158-1007	1
HOUSING-BEARING (Ref # 41046)	41046-1019	1
COUPLING,DRIVE SHAFT, (Ref # 42034)	42034-1035	1
BOOT,PROPELLER SHAFT (Ref # 49006)	49006-1059	1
BOLT,8X28 (Ref # 92001)	92001-1095	6
BOLT,FLANGED,10X23 (Ref # 92001A)	92001-1778	2
STUD,RR SHOCKABSORBER (Ref # 92004)	92004-1047	1
NUT,FLANGED,8MM (Ref # 92015)	92015-1408	4
NUT,25MM (Ref # 92015A)	92015-1241	1
WASHER (Ref # 92022)	92022-1086	1
SHIM,1.74T (Ref # 92025)	92025-1074	AR
SHIM,1.76T (Ref # 92025A)	92025-1075	AR
SHIM,1.78T (Ref # 92025B)	92025-1076	AR
SHIM,T=0.15 (Ref # 92025C)	92025-1312	AR
SHIM,T=0.8 (Ref # 92025D)	92025-1316	AR
SHIM,T=0.9 (Ref # 92025E)	92025-1317	AR
SHIM,T=1.0 (Ref # 92025F)	92025-1318	AR
SHIM,T=1.2 (Ref # 92025G)	92025-1319	AR
SHIM,T=0.15 (Ref # 92025H)	92025-1369	AR
SHIM,T=0.80 (Ref # 92025I)	92025-1370	AR
SHIM,T=0.90 (Ref # 92025J)	92025-1371	AR
SHIM,T=1.00 (Ref # 92025K)	92025-1372	AR
SHIM,T=1.20 (Ref # 92025L)	92025-1373	AR
SPACER,T=1.95 (Ref # 92026)	92026-1122	AR
SPACER,T=2.00 (Ref # 92026A)	92026-1123	AR

1984 LTD Shaft PARTS LIST

DRIVE SHAFT/FINAL GEARS (KZ550-F2)

ITEM NAME	PART NUMBER	QUANTITY
SPACER,T=2.05 (Ref # 92026B)	92026-1124	AR
SPACER,T=2.10 (Ref # 92026C)	92026-1125	AR
SPACER,T=2.15 (Ref # 92026D)	92026-1126	AR
SPACER,T=2.20 (Ref # 92026E)	92026-1127	AR
SPACER,T=2.25 (Ref # 92026F)	92026-1128	AR
SPACER,DRIVE SHAFT (Ref # 92026G)	92026-1129	1
COLLAR,L=34.3 (Ref # 92027)	92027-1536	AR
COLLAR,L=34.4 (Ref # 92027A)	92027-1537	AR
COLLAR,L=34.5 (Ref # 92027B)	92027-1538	AR
COLLAR,L=34.6 (Ref # 92027C)	92027-1539	AR
COLLAR,25X35X9 (Ref # 92027D)	92027-1540	1