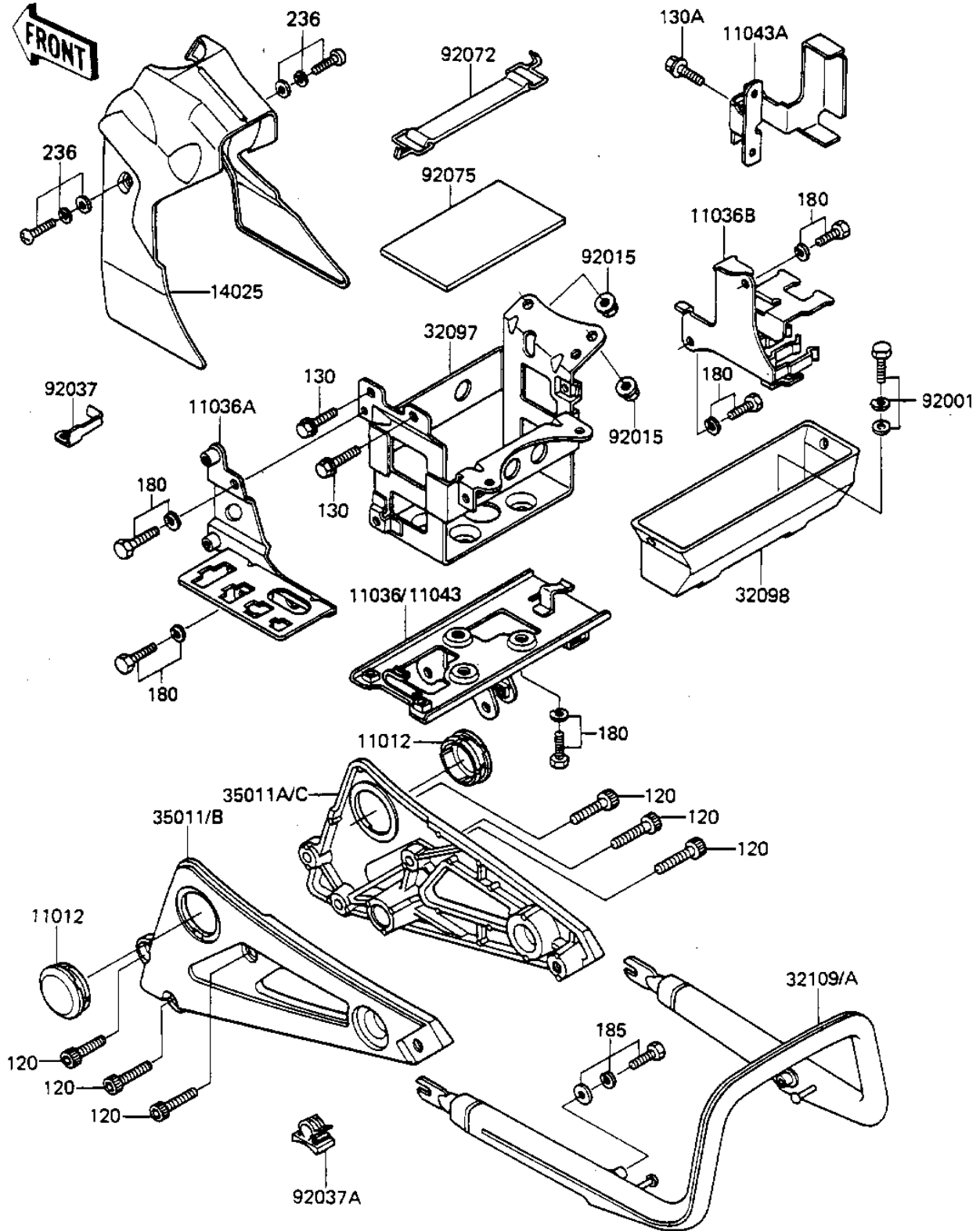


1984 LTD Shaft PARTS DIAGRAM

BATTERY CASE/TOOL CASE

F2132-0119



1984 LTD Shaft PARTS LIST

BATTERY CASE/TOOL CASE

ITEM NAME	PART NUMBER	QUANTITY
CAP,SWING ARM SHAFT (Ref # 11012)	11012-1397	2
BRACKET-A,ELECTRIC,LH (Ref # 11036A)	11036-1827	1
BRACKET-A,ELECTRIC,RH (Ref # 11036B)	11036-1828	1
BRACKET,ELECTRIC BASE (Ref # 11043)	11043-1469	1
BRACKET,IGNITER (Ref # 11043A)	11043-1489	1
COVER,FUEL TANK,FR (Ref # 14025)	14025-1551	1
CASE-BATTERY (Ref # 32097)	32097-1062	1
CASE-TOOL (Ref # 32098)	32098-1022	1
GRIP-FRAME (Ref # 32109A)	32109-1040	1
STAY,MUFFLER,RH (Ref # 35011C)	35011-1149	1
BOLT,W/SP,6X14 (Ref # 92001)	92001-1862	2
NUT-6MM (Ref # 92015)	92015-1078	2
CLAMP,BREATHER TUBE (Ref # 92037)	92037-1246	1
CLAMP,LEAD WIRE (Ref # 92037A)	92037-1340	2
BAND,BATTERY (Ref # 92072)	92072-1097	1
DAMPER,BATTERY BASE (Ref # 92075)	92075-1076	1
BOLT-SOCKET (Ref # 120)	120S0825	6
BOLT,FLANGED,6X10 (Ref # 130)	130B0610	2
BOLT-FLANGED,8X12,BLA (Ref # 130A)	130C0812	1
BOLT 6X12 (Ref # 180)	180B0612	7
BOLT-UPSET-WSP-SMALL (Ref # 185)	185B0818	2
SCREW,PAN,WSP,CROSS (Ref # 236)	236C0635	2