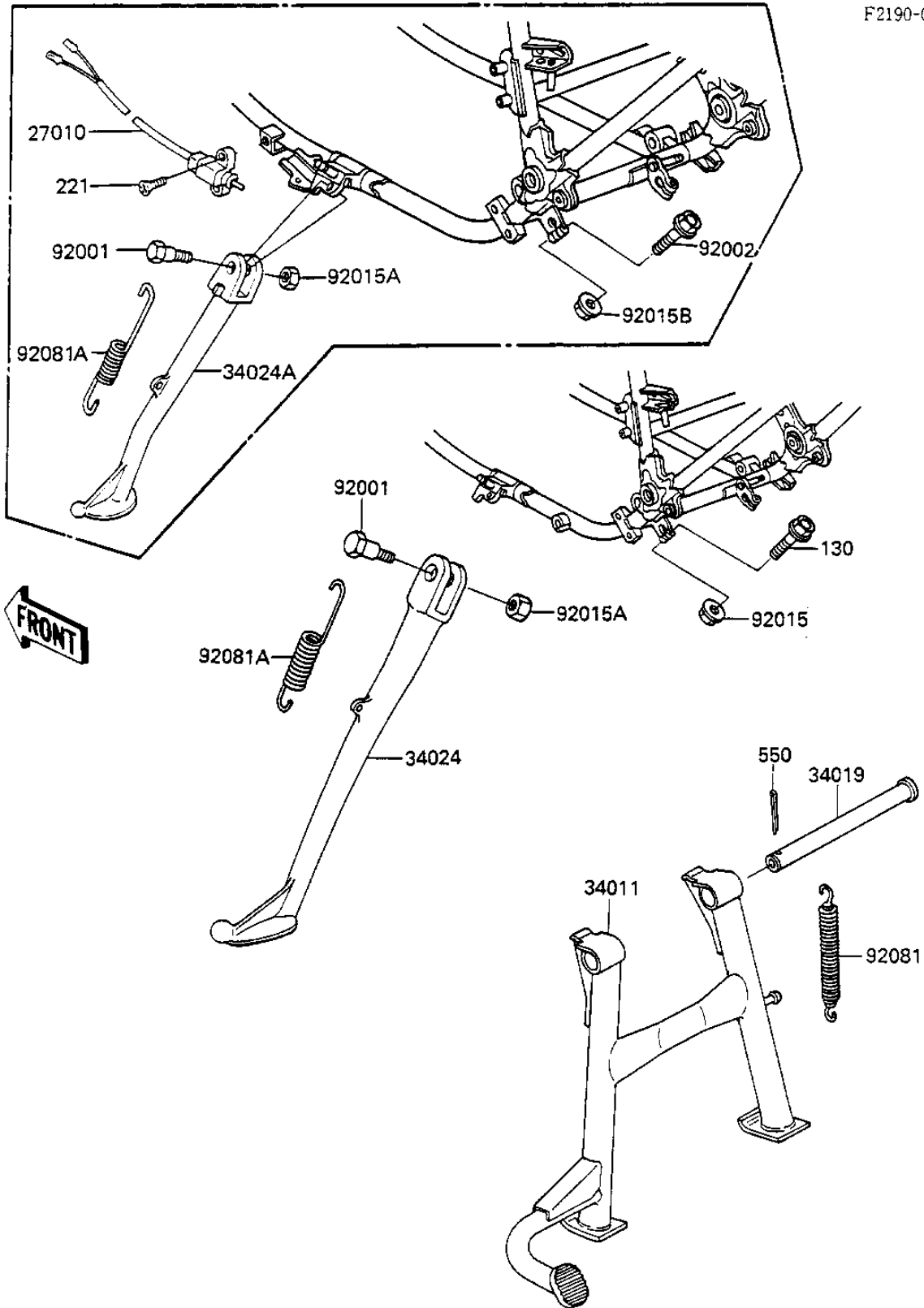


1983 Spectre PARTS DIAGRAM

STANDS

F2190-0150



1983 Spectre PARTS LIST

STANDS

ITEM NAME	PART NUMBER	QUANTITY
SWITCH,SIDE STAND (Ref # 27010)	27010-1065	1
STAND-CENTER (Ref # 34011)	34011-1072	1
SHAFT-STAND (Ref # 34019)	34019-1003	1
STAND-SIDE (Ref # 34024)	34024-1108	1
BOLT,8X160,BLACK (Ref # 92001)	92001-1543	1
NUT,8M/M (Ref # 92015)	92015-1014	2
NUT,LOCK,10MM,BLACK (Ref # 92015A)	92015-1188	1
SPRING,MAIN STAND,R.H (Ref # 92081)	92081-1145	1
SPRING,SIDE STAND (Ref # 92081A)	92081-1727	1
BOLT (Ref # 130)	130G0840	2
PIN COTTER 3.0X30 (Ref # 550)	550D3030	1