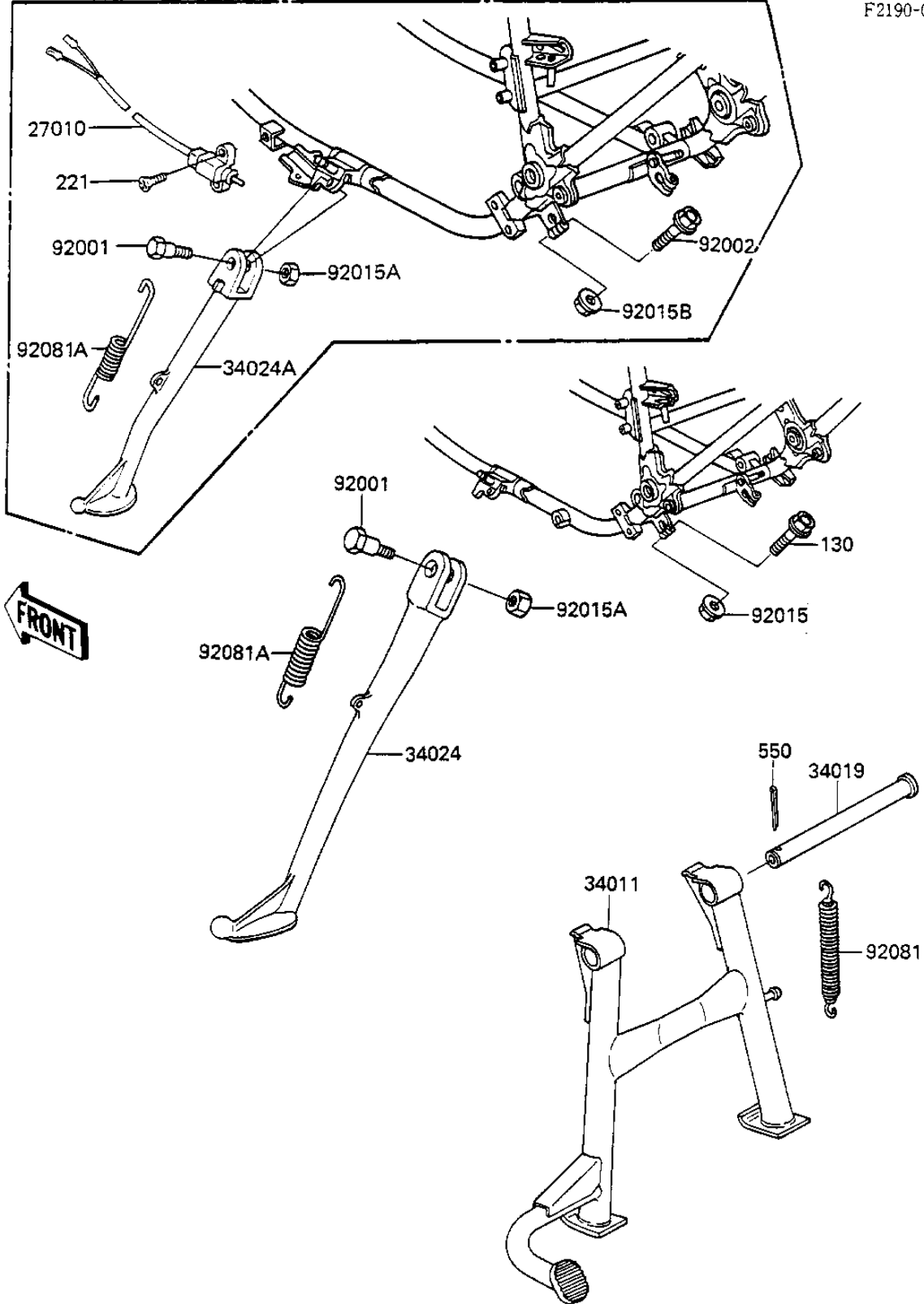


1984 LTD Shaft PARTS DIAGRAM

STANDS

F2190-0150



1984 LTD Shaft PARTS LIST

STANDS

ITEM NAME	PART NUMBER	QUANTITY
STAND-CENTER (Ref # 34011)	34011-1072	1
SHAFT-STAND (Ref # 34019)	34019-1003	1
STAND-SIDE (Ref # 34024A)	34024-1170	1
BOLT,8X160,BLACK (Ref # 92001)	92001-1543	1
BOLT,FLANGED,8X40 (Ref # 92002)	92002-1113	2
NUT,LOCK,10MM,BLACK (Ref # 92015A)	92015-1188	1
NUT,FLANGED,8MM (Ref # 92015B)	92015-1409	2
SPRING,MAIN STAND,R.H (Ref # 92081)	92081-1145	1
SPRING,SIDE STAND (Ref # 92081A)	92081-1727	1
SCREW-CSK-CROS (Ref # 221)	221C0520	2
PIN COTTER 3.0X30 (Ref # 550)	550D3030	1