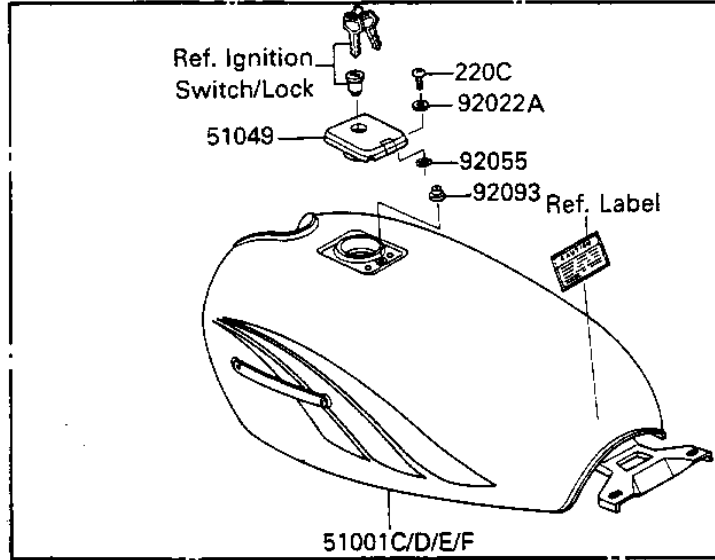
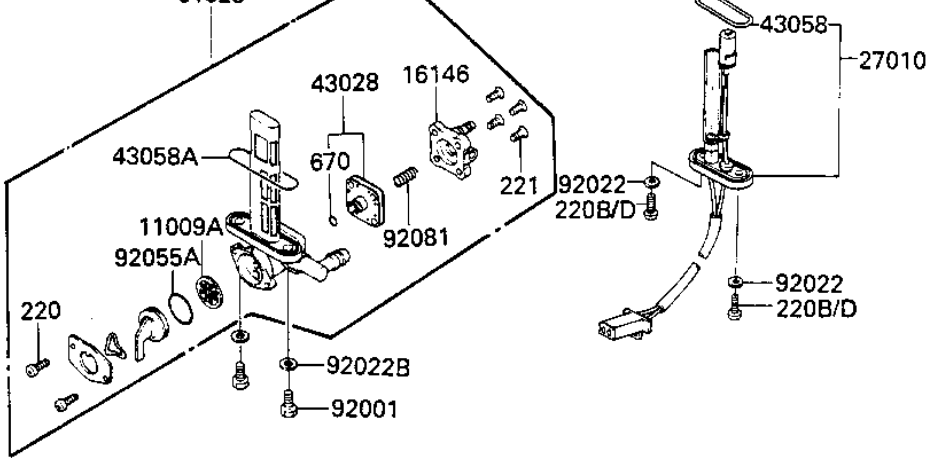
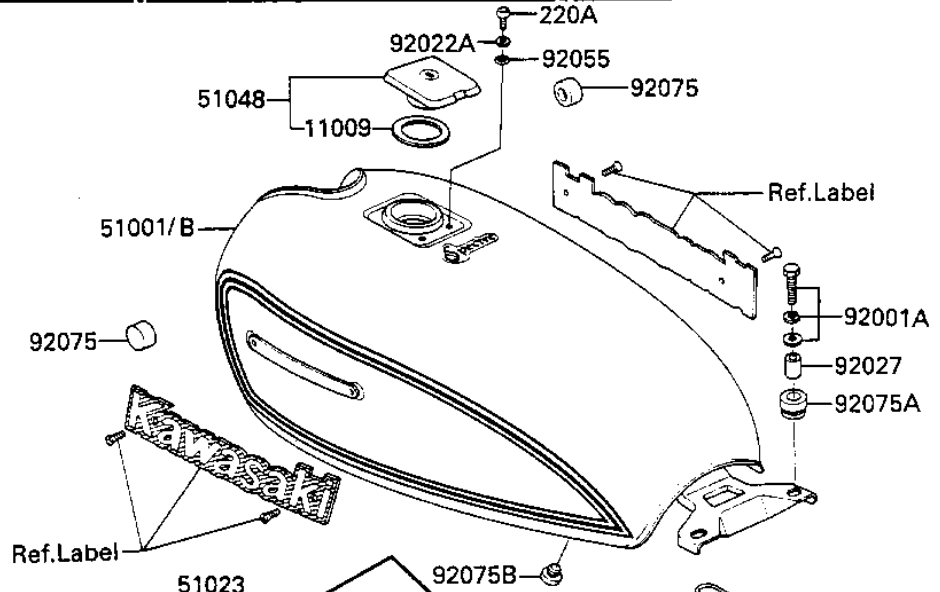


1984 LTD Shaft PARTS DIAGRAM

FUEL TANK



F2410-0213



1984 LTD Shaft PARTS LIST

FUEL TANK

ITEM NAME	PART NUMBER	QUANTITY
GASKET,FUEL TAP (Ref # 11009A)	11009-1188	1
COVER ASSY,FUEL TAP (Ref # 16146)	16146-1009	1
SWITCH,FUEL LEVER (Ref # 27010)	27010-1073	1
DIAPHRAGM (Ref # 43028)	43028-1033	1
"O" RING,FUEL SWITCH (Ref # 43058)	43058-1004	1
"O" RING (Ref # 43058A)	51039-003	1
TANK-COMP-FUEL,EBONY (Ref # 51001C)	51001-5368-H8	1
TANK-COMP-FUEL,L.C.RE (Ref # 51001D)	51001-5368-L2	1
TANK-COMP-FUEL,EBONY (Ref # 51001E)	51001-5393-H8	1
TANK-COMP-FUEL,L.C.RE (Ref # 51001F)	51001-5393-L2	1
TAP-ASSY,FUEL (Ref # 51023)	51023-1186	1
CAP,TANK-FUEL (Ref # 51049)	51049-1058	1
BOLT,6X20,FUEL TAP (Ref # 92001)	92001-1091	2
BOLT,6X25 (Ref # 92001A)	92002-1137	2
WASHER,5.2X10X1.5 (Ref # 92022)	92022-1023	2
WASHER,PLAIN (Ref # 92022A)	92022-1038	2
WASHER-PLAIN (Ref # 92022B)	92022-183	2
COLLAR 6.8X10X14.5 (Ref # 92027)	92027-156	2
"O" RING (Ref # 92055)	92055-1023	2
"O" RING,FUEL TAP LEV (Ref # 92055A)	92055-1085	1
DAMPER RUBBER-FL TANK (Ref # 92075)	92075-101	2
DAMPER RUBBER (Ref # 92075A)	92075-167	2
DAMPER RUBBER (Ref # 92075B)	92075-281	1
SPRING,DIAPHRAGM VALV (Ref # 92081)	92081-1240	1
OIL SEAL,FUEL TANK (Ref # 92093)	92093-1030	1
SCREW PAN HEAD 3X8 (Ref # 220)	220B0308	2
SCREW-PAN-CROS (Ref # 220C)	220D0510	2
SCREW-PAN-CROS (Ref # 220D)	220D0514	2
SCREW-CSK-CROS,4X14 (Ref # 221)	221B0414	4

1984 LTD Shaft PARTS LIST

FUEL TANK

ITEM NAME	PART NUMBER	QUANTITY
"O" RING,4MM (Ref # 670)	670B1504	1