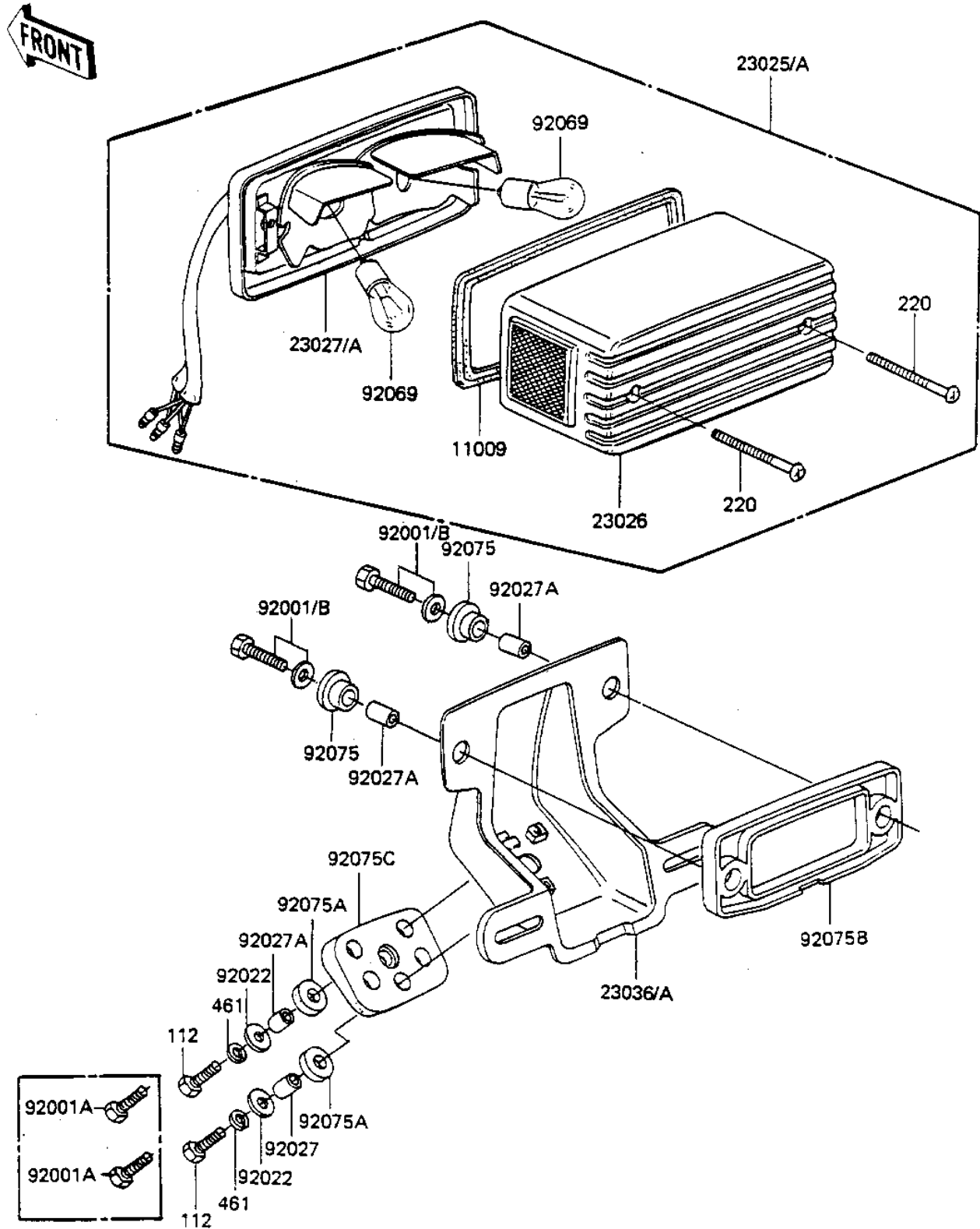


# 1984 LTD Shaft PARTS DIAGRAM

TAILLIGHT

F2720-0011



# 1984 LTD Shaft PARTS LIST

## TAILLIGHT

ITEM NAME	PART NUMBER	QUANTITY
GASKET,TAIL LAMP (Ref # 11009)	11009-1221	1
LAMP-TAIL (Ref # 23025)	23025-1025	1
LENS,TAIL LAMP (Ref # 23026)	23026-1021	1
BODY-COMP-TAIL LAMP (Ref # 23027)	23027-1013	1
BRACKET-TAIL LAMP (Ref # 23036)	23036-1033	1
BOLT,6X25 (Ref # 92001A)	92002-1137	3
BOLT (Ref # 92001B)	92132-001	2
COLLAR 6.8X10X14.5 (Ref # 92027)	92027-156	1
COLLAR (Ref # 92027A)	92027-169	4
BULB,12V 32/3CP (Ref # 92069)	92069-059	2
DAMPER RUBBER (Ref # 92075)	92075-1092	2
DAMPER RUBBER,RR FEND (Ref # 92075A)	92075-121	3
DAMPER (Ref # 92075B)	92075-1282	1
DAMPER (Ref # 92075C)	92075-1283	1
SCREW-PAN-CROS (Ref # 220)	220C0465	2